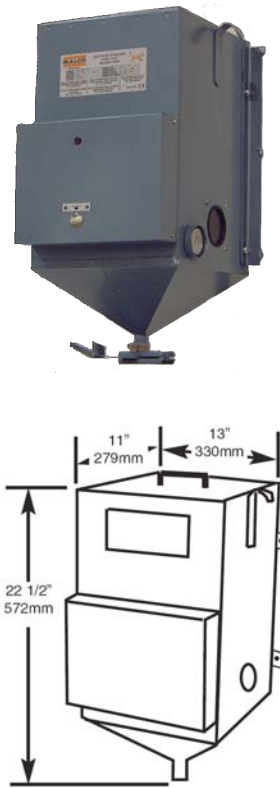


FLUX HOPPERS

100 lb. (45.3 kg) HOPPER

MODEL GOV 100 FH:

This 100 lb. (45.3 kg) Capacity Flux Hopper is designed for mounting either directly above the welding head or on the welding manipulator to maintain the flux in its original dry state. It is complete with mounting lugs, lift-off loading lid, thermometer, flux level window, flux screen and a flux heating system incorporating 40 watts of low density elements. The temperature is controlled by a thermostat. The temperature range is 100° to 400° F (37.7° to 204.4°C) . All for operation on 115 / 230 volts, 50/60 cycle AC power supply. Weight 27 lb (12.2 kg).



FLUX HOLDING OVENS

MODEL GOV 100 PFD:

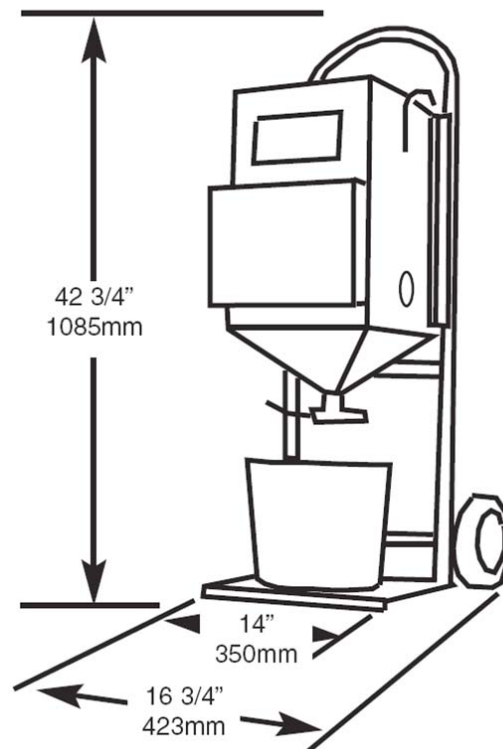
This portable 100 lb. (45.3 kg) capacity Flux Holding Oven uses the same flux hopper as Model GOV 100 FH except it is supplied complete with a portable carrier, a 25 lb. (11.3 kg) capacity flux bucket for transfer of the flux to the welding head. Flux bucket gravity feed from a positive lever type valve at the base of the Hopper. The 100 lb. (45.3 kg) hopper can be readily detached from its portable carrier and mounted directly above the welding head or on the welding manipulator. All for operation on 115 / 230 volts, 50/60 cycle AC power supply. Weight 50 lb.



SUBMERGED ARC MOGGY

MODEL GM-02

This SAM® trackless welding carriage can be equipped to produce precision, quality submerged arc or MIG welds. It is guided by adjustable horizontal guide roller assemblies which maintain a set distance from a vertical member or a unique optional "handled" steering device. The unit comes complete with a removable attachment post that holds a wire feed head, flux hopper & valve (submerged arc unit only), wire spool, controls and adjustable weld positioning brackets with horizontal and vertical slides that enable full positioning of the weld gun either behind or beside the carriage.



THE MOST COMPLETE RANGE OF STABILIZING OVENS

PORTABLE WELDING OVENS

These electrode ovens are lightweight but durable. The design makes this oven model easy to carry and easy to load. The welding ovens provide low cost control of welding quality in the shop or at the job site.

Available in 20 lb. (9 kg) capacity and 50 lb. (22.6 kg) capacity models.

MODEL 350



MODEL 125



MODEL 50
50 lb (22.6 kg)
Capacity Electrode
oven with handle and
wheel assembly for
easier portability



MODEL 10A-20

WELDING OVENS: COMPACT IN-SHOP MODELS

The in-shop models are designed to maintain electrode integrity at a higher temperature range. All in-shop models have a recessed control panel for protection as well as removable shelves and thermostat control. These models are available in 125 lb. (56.7 kg), 350 lb. (136 kg) and 1000 lb. (453.5 kg) capacities.

1000 POUND (453.5 kg) CAPACITY HIGH TEMPERATURE ELECTRODE RE-BAKING OVEN

Available in two models, one equipped with an Indicating Control System and the other with an Electronic Digital Programmer Controller.



KAT, KBM, MOGGY, KATBAK & SAM are registered trademarks of Gullco Enterprises Limited

SPECIFICATIONS ARE SUBJECT TO CHANGE WITHOUT NOTICE. ALL DIMENSIONS ARE NOMINAL



WB ALLOY WELDING PRODUCTS LTD

Head Office
Dalsetter House
37 Dalsetter Avenue
Glasgow
G15 8TE

T: 0141 940 4730
F: 0141 944 5389

E: welding@wballoys.co.uk

North Scottish Depot
Unit 8, Altens Trade Centre
Hareness Circle
Aberdeen
AB12 3LY

T: 01224 870052
F: 01224 896385

E: sales.aberdeen@wballoys.co.uk