

HEAVY DUTY CUTTING TORCH

MK-300



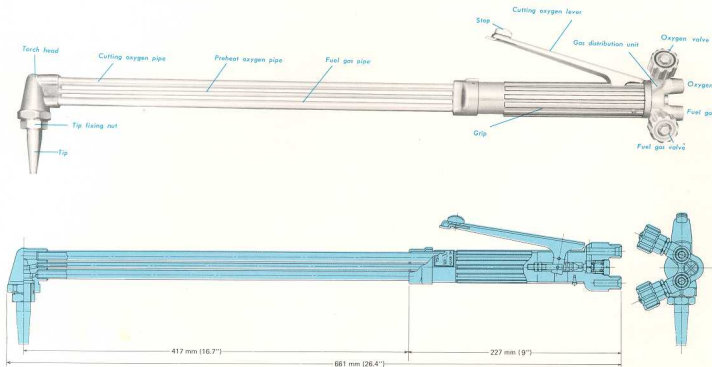
KOIKE SANZO KOGYO CO., LTD.

For even greater safety, the
MK-300
 uses a three land tip-mixing system.

The design of Koike's MK-300 has been made rugged and simple. This has also resulted in a fine balance that makes it very easy to use.

And in line with Koike's policy of ever greater safety, a three land tip-mixing system has been employed. This is because the three land tip-mixer system substantially reduces the risk of flashback occurring. And even if flashback does occur, damage to the torch is reduced to the minimum.

And if you use Koike tips, you will have the benefit of an even greater safety margin, as Koike tips are now of a special design (patent pending) which makes it hard for any flashback to happen.



TIPS FOR MK-300

102	00	Acetylene	Standard tip	
	1			
108S	00		Propane	Divergent high speed cutting tip
	1			
106V	00	Standard tip		
	1			
106V7	00	Divergent high speed cutting tip		
	1			

* Tips for other fuel gases available.

Specifications

Torch length	Standard 661 m/m (26.4")
Weight	1.55 kg (3.4 lb)
Cutting thickness	Max. 300 m/m (12")
Cutting oxygen lever	With stop
Torch head angle	90° and 75°
Fuel gas	Any medium pressure fuel gas available

Hose connection

	Oxygen	Fuel gas
US	9/16"-18 Right	Left
BS	5/8" Right	Left
JIS	M16 Right	Left

* Or other specified hose connections available.

KOIKE EUROPE B.V.

KÜPPERSWEG 19 (Waarderpolder)
 2031 EA HARRLEM, HOLLAND
 TEL 023 - 31 95 47
 TELEX 41585 K E NL
 FACSIMILE: 023 - 317343

Sold by: