

# OTHER PRODUCTS



**PIPE BEVELLING MACHINES**



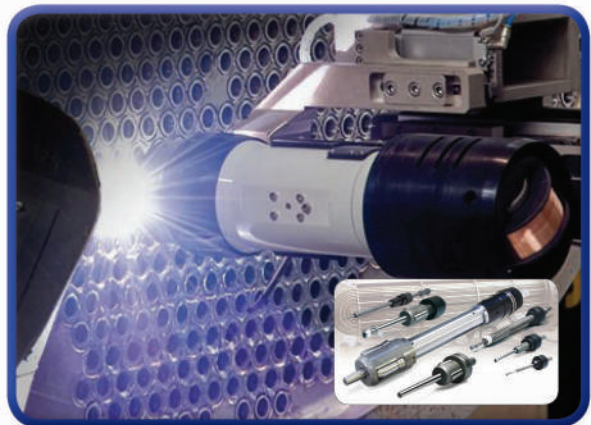
**PIPE CUTTING MACHINES**



**PIPE PURGING**



**PIPE STANDS & BUGGIES**



**HEAT EXCHANGER MANUFACTURE AND MAINTENANCE EQUIPMENT**



WWW.WBALLOYS.CO.UK



## **PREP 16**

# **PIPE BEVELLING MACHINE**



**3" to 16"**

WB ALLOY WELDING PRODUCTS LTD



# TAG PREP 16

## Portable Pipe Beveling Machine

**RANGE: 72 -406 mm (2,8" - 16")**

- **Functions:** External Beveling  
internal Beveling  
Facing  
Counterboring.  
Weld Removal  
J-prepping & compound Bevels
- **Materials:** Any kind of steel and Exotic alloy
- **Power:** Pneumatic/Electric.(110v or 220v)



The Prep 16 is the first in TAG's new range of a heavy duty mid-large diameter beveling machines.

Offering ratchet i/d jaw locking, as well as Ratchet bevel feed control for effortless heavy wall preps. Offered with a 3 HP Pneumatic or 1750 Watt electric motor any bevel geometry can be performed within the impressive 3-16 inch range.

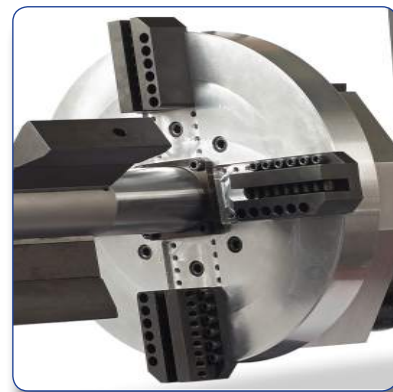
J-preps, counter boring, and facing can all be performed, simultaneously, using the correct tooling fitted in (up to) 4 heavy duty hardened multi-position tool holders. Due to its light weight, yet unrivalled power, the Prep 16 is ideal for on-site, off shore, nuclear, and other applications where precision welds are required at an incredible value.



The Prep 16, and its bigger brothers, the Prep 20, and Prep 24, all utilise ratchet feed and locking. This allows effortless set-up, and enables the operator to deliver consistent feed with minimal effort.



To enable ease of set up, the machine is equipped with a double-sided yoke with removable extensions so the machine can be easily installed, and removed from the pipe.



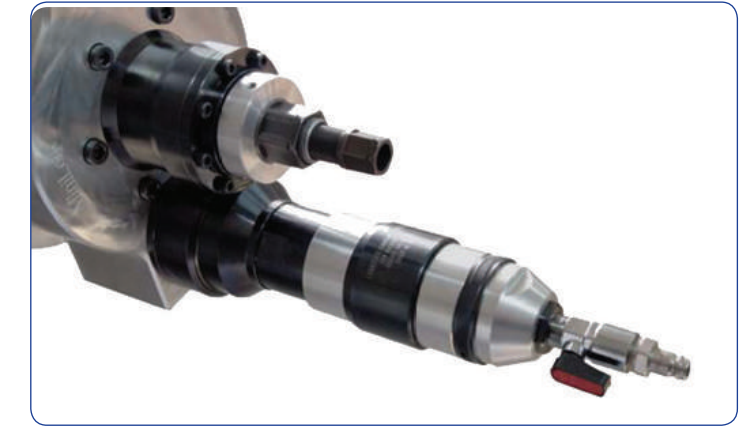
Self-centering 70mm (2,75") one piece locking shaft with built in jaws, eliminates the issue of broken or loosening retaining springs and o-rings.



Innovative Wide locking jaws offer 6 point locking from 3 jaws giving superior clamping force for chatter free end preps.



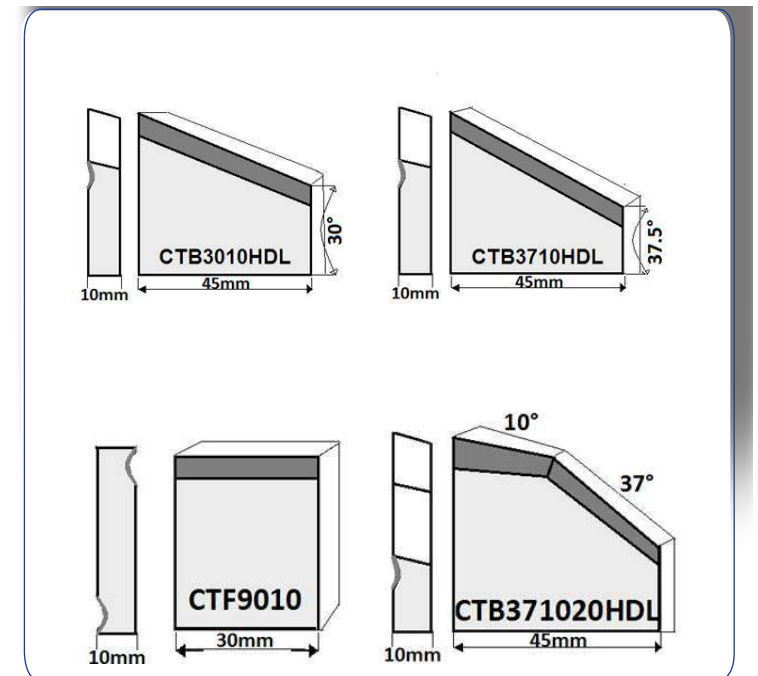
The Prep 16 has unrivalled power and stability, utilising a ratchet system for both jaw locking, and bevel feed.



The PREP 16 can also be supplied as an electric version, with a 1750 watt heavy duty, in-line or right angle motor drive. Or a heavy duty 3.0 Hp Pneumatic motor

### CUTTING TOOLS

Tag Pipe offer 2 grades of standard tooling, which will cope with the majority of beveling applications when working with carbon or stainless steel. Specialist geometry bevel tools and tools for machining specially hard materials are also available.



### TECHNICAL FEATURES

	MEASUREMENT	SPECIFICATION
I.D Locking range	mm / "	72-385 / 2,8-15.1
Pipe Beveling Range	mm / "	72-406 / 2,8-16
Feed stroke	mm / "	50 / 2
Power	kW / HP	2,2 / 3,0
Air consumption	cfm / min	70 / 2,2m <sup>3</sup>
Air pressure	PSI / Bar	90 / 6,2
Machine Weight	kg / Lbs	57 / 125
Machine Dimensions	mm / "	700x 390x 390 / 27.5x 15.4 x 15.4
Total Shipping Weight	kg / Lbs	95 / 210
Total Shipping Dimensions	mm / "	760x500x560 / 29.9x19.7 x 22.1