

# OTHER PRODUCTS



**PIPE BEVELLING MACHINES**



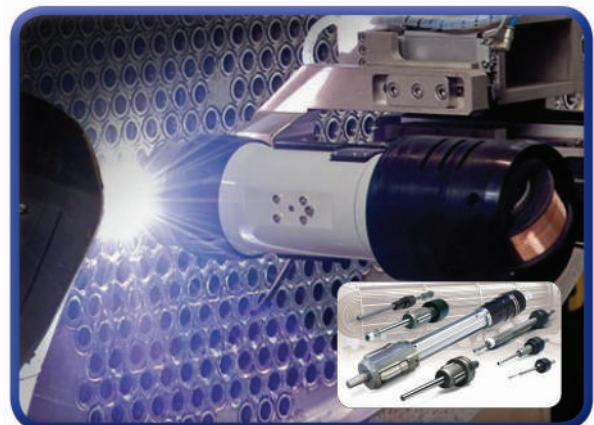
**PIPE CUTTING MACHINES**



**PIPE PURGING**



**PIPE STANDS & BUGGIES**



**HEAT EXCHANGER MANUFACTURE AND MAINTENANCE EQUIPMENT**

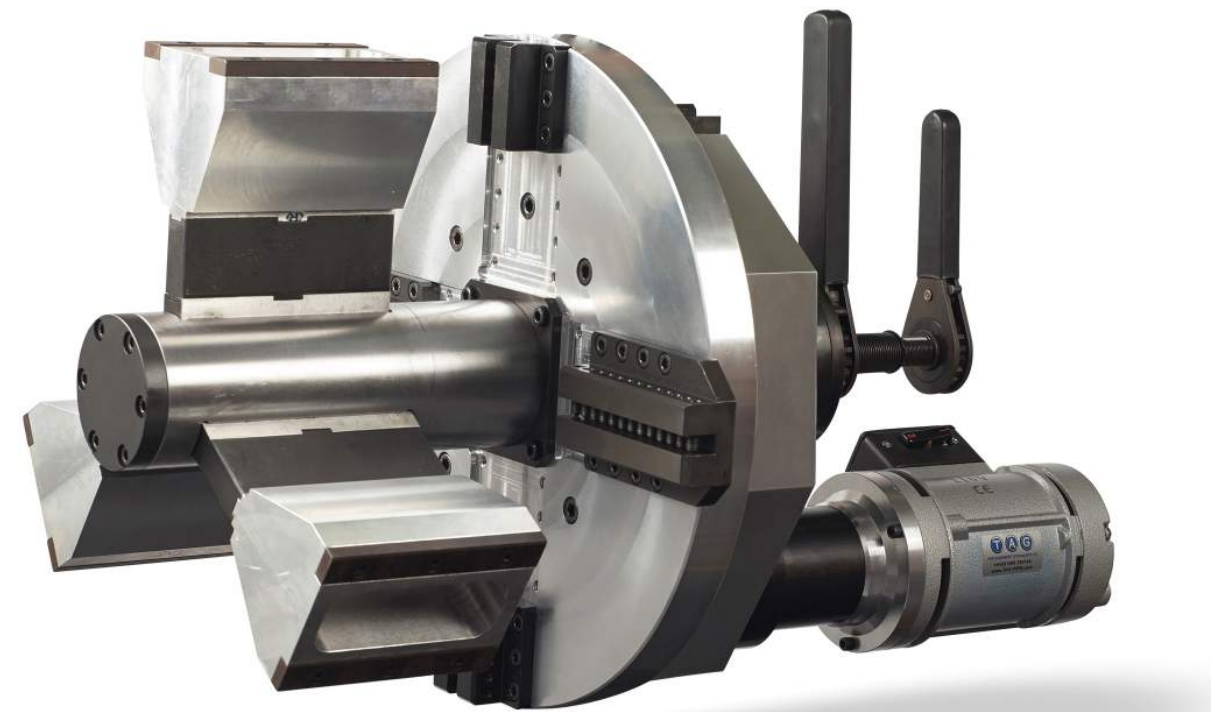
WB ALLOY WELDING PRODUCTS LTD

KN.OO.SYOTYB.W.M.WM



**PREP 20**

## **PIPE BEVELLING MACHINE**



**4" to 20"**

WWW.WBALLOYS.CO.UK

WB ALLOY WELDING PRODUCTS LTD



# PREP 20



## Portable Pipe Beveling Machine

**RANGE: 100 -500 mm ( 4 - 20" )**

- **Functions:** External Beveling  
Internal Beveling  
Facing  
Counterboring.  
Weld Removal  
J-Prepping & Compound Bevels
- **Materials:** Any kind of steel and Exotic alloy
- **Power:** Pneumatic/Electric.(110v or 220v)



The Prep 20 is the Second in TAG's new range of a heavy duty mid-large diameter beveling machines. Offering ratchet i/d jaw locking, as well as Ratchet bevel feed control for effortless heavy wall preps. Offered with a 3.5 HP Pneumatic boasting 7500Nm Torque or 3200 Watt electric motor any bevel geometry can be performed within the impressive 4-20 inch range. J-preps, counter boring, and facing can all be performed, simultaneously, using the correct tooling fitted in (up to) 4 heavy duty hardened multi-position tool holders. Due to its light weight, yet unrivalled power, the Prep 20 is ideal for on-site, off shore, nuclear, and other applications where precision welds are required at an incredible value.



Self-centering 100mm (4") one piece locking shaft with built in jaws, eliminates the issue of broken or loosening retaining springs and o-rings.



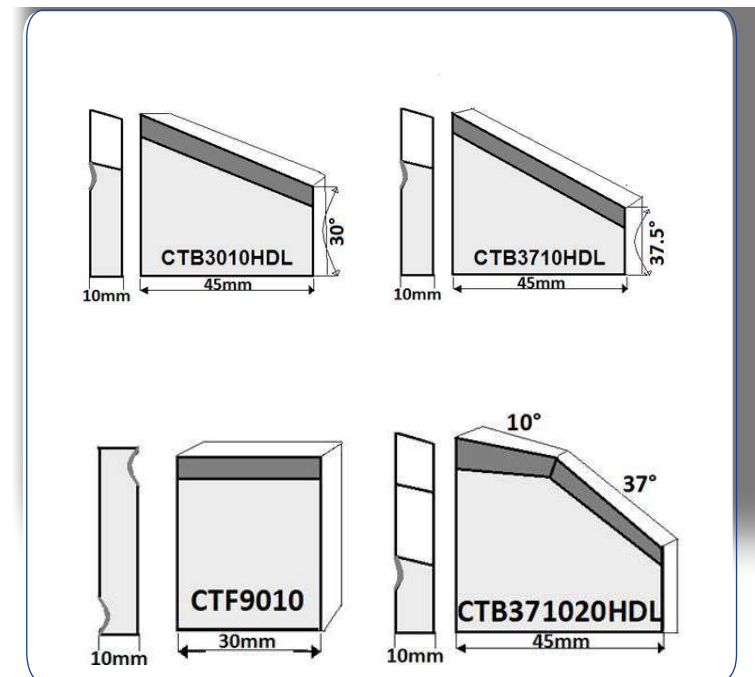
The Prep 20 has unrivalled power and stability, utilising a ratchet system for both jaw locking, and bevel feed.



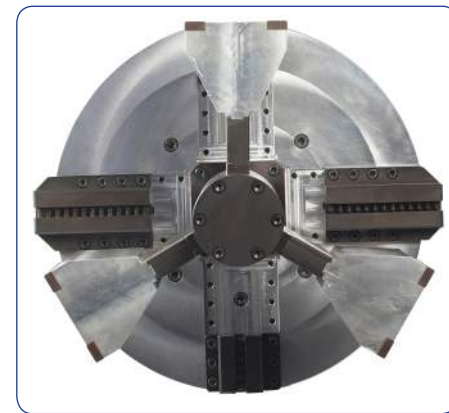
The PREP 20 can also be supplied as an electric version, with a 3200 watt heavy duty, in-line or right angle motor drive. Or a heavy duty 3.5 Hp Pneumatic motor

### CUTTING TOOLS

Tag Pipe offer 2 grades of standard tooling, which will cope with the majority of beveling applications when working with carbon or stainless steel. Specialist geometry bevel tools and tools for machining specially hard materials are also available.



The Prep 20, like the Prep 16 and Prep 24 utilise ratchet feed, and locking. This allows effortless setup, and enables the operator to deliver consistent feed with minimal effort .



Innovative Wide locking jaws offer 6 point locking from 3 jaws giving superior clamping force for chatter free end preps.

### TECHNICAL FEATURES

	MEASUREMENT	SPECIFICATION
I.D Locking range	mm / "	100-500 / 3.9-19.7
Pipe Beveling Range	mm / "	100-508 / 4.0-20.0
Feed stroke	mm / "	60 / 2.4
Power	kW / HP	2,61 / 3,5
Air consumption	cfm / min	85 / 2,8m <sup>3</sup>
Air pressure	PSI / Bar	90 / 6,2
Machine Weight	kg / Lbs	88 / 194
Machine Dimensions	mm / "	860x 480x 480 / 33.9x 18.9 x 18.9
Total Shipping Weight	kg / Lbs	95 / 210
Total Shipping Dimensions	mm / "	970x 630x 675 / 38.2x 24.8 x 26.6