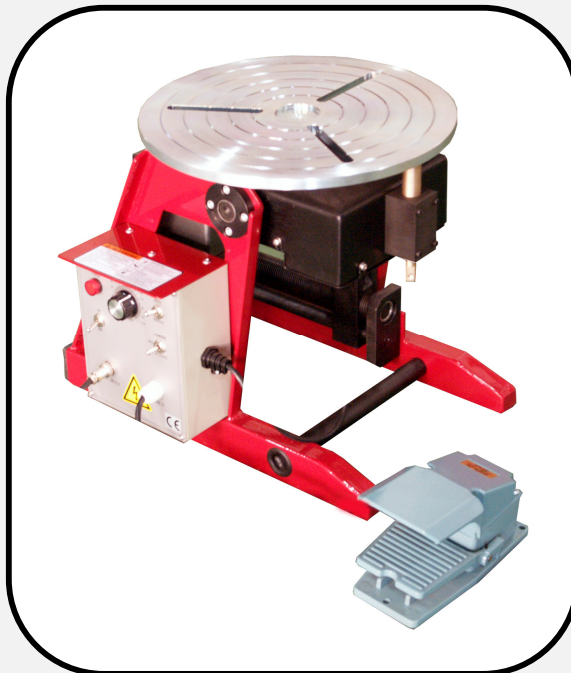




Specification Data
Positioners
Capacity : 100kg
Fixed Height

RedRock Positioner Model LPE0.1-WD Series is designed to give maximum positioning flexibility by using the tilt and rotation of the table to manipulate the work piece into the correct 'down hand' position for welding or to position accurately for assembly and manufacturing requirements. The table is machined with four radial slots for anchor bolts and centric marking on the surface table, a set of tapered bearing mounted below the table to give a smooth and constant turning during operation. Powered driven by DC motor. A variable speed controlled by a standard control pendant with low voltage push button and potentiometer with a 3-metre control cable built in. Tilt movement is electrically powered driven by 65W DC motor with dynamic braking through reducer gearbox. Built in with 300amps rotary clamp to ensure good earthing to the welding power source.

Table diameter 350mm.



Specifications

Model:	LPE0.1-WD
Pendant Control:	24VDC circuit, push button with 3-metre cable
Input voltage:	220V/1phase/50Hz (specify voltage requirement when ordering)
Rotation Capacity:	100kg at 100mm
Rotation Speed:	0 to 4.7 rpm
Tilting Capacity:	100kg at 100mm c of g
Tilt Range:	0 to 90 degrees
Tilt Speed:	Manual
Rotation Drive Motor:	65W motor
Rotation Drive Control:	DC motor card
Tilt Drive Motor:	65W DC
Estimate weight:	35kg

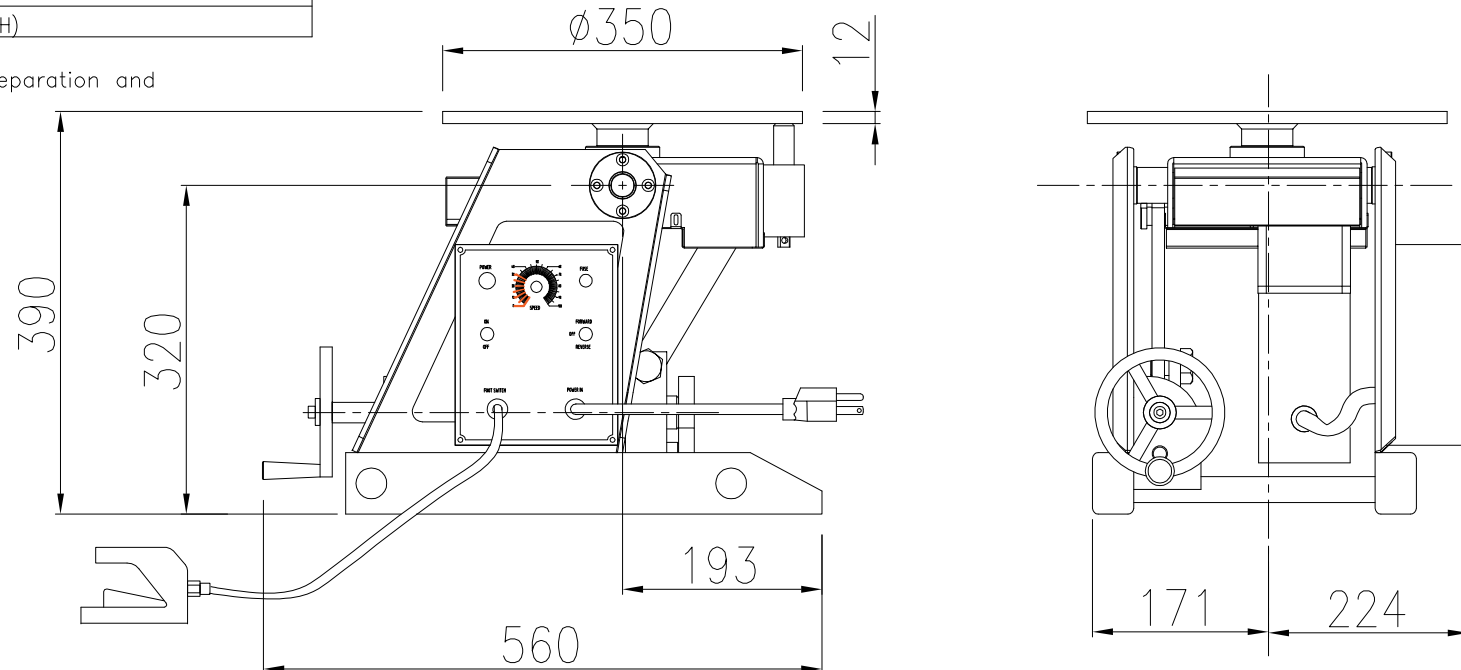
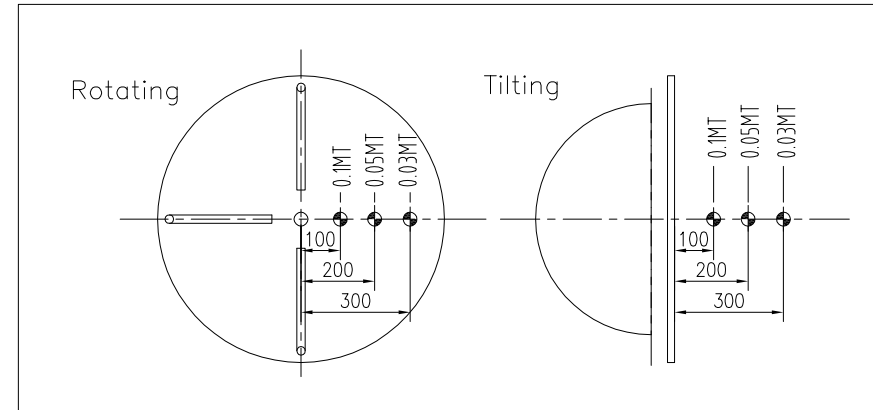
Specification for Positioner

1	Model	LPE0.1-WD
2	Capacity (Turning)	100kg@100mm(Please refer to load chart)
3	Capacity (Tilting)	100kg@100mm(Please refer to load chart)
4	Electrical Panel	Yes
5	Rotation Speed/power	0-4.7rpm AT 0-90V/DC 65W
6	Tilt Range	0-90°, Manual
7	Incoming Supply	220V-1P-50Hz
8	Control Voltage	24VDC
9	Rotation Drive Control	DC Motor Card
10	Control Means	Foot Switch (Toggle Type) c/w 3m Cable
11	Table size	ø350X12t c/w 3 slot(14)
12	Earthing	300A
13	Surface Preparation	Gritblast to SA2.5
14	Painting	Powder Coating
15	Color	RAL 3003 RED & RAL 9005 BLACK FOR TILTING BOX AND TABLE
16	Qty	1 unit
17	Est Weight(kg)	35
18	Shipping dimension/cm	65(L)X42(B)X40(H)


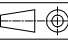
Note:

1. This drawing is accurate at time of preparation and maybe subjected to final design.

LOAD CHART



All dimensions in mm unless otherwise specified.

	CUSTOMER APPROVAL	CHECKED BY:	DRAWN BY: IC	REV	DATE	DESCRIPTION	EDIT BY	REMARKS	SCALE: N.T.S.	
				CUSTOMER:						
				DRAWING NAME:			100kg positioner			REVISION: 1
				DRAWING NO:			LPE0.1-WD			SHEET: 1 OF 1
<p>THE ORIGINAL AND ALL COPIES OF THIS DRAWING TOGETHER WITH THE COPYRIGHT THEREOF ARE THE SOLE PROPERTY OF RED ROCK. DESIGN AND SPECIFICATIONS ARE SUBJECT TO CHANGE WITHOUT PRIOR NOTICE.</p>										

11-08-2011