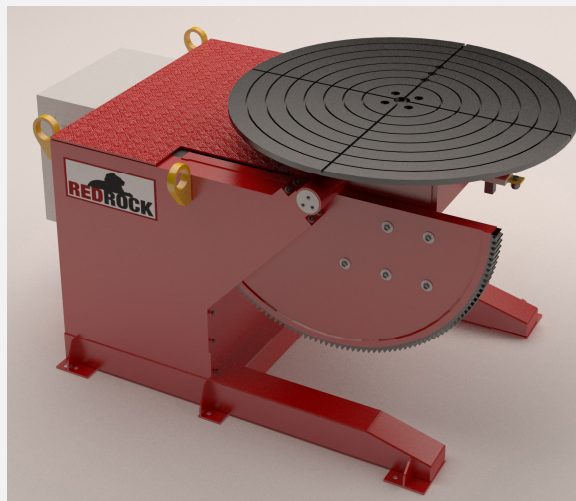




**Specification Data**  
**Positioners**  
**Capacity : 1 Tonne**  
**Fixed Height**

**RedRock** Positioner Model LPE1-WE Series is designed to give maximum positioning flexibility by using the tilt and rotation of the table to manipulate the work piece into the correct 'down hand' position for welding or to position accurately for assembly and manufacturing requirements. The table is machined with four radial slots for anchor bolts and centric marking on the surface table, a set of tapered bearing mounted below the table to give a smooth and constant turning during operation. Powered driven by AC motor controlled by AC inverter system. A variable speed controlled by a standard control pendant with low voltage push button and potentiometer with a 6-metre control cable built in. Tilt movement is electrically powered driven by 0.75 KW AC motor with dynamic braking through reducer gearbox. Built in with 800amps rotary clamp to ensure good earthing to the welding power source.

Table diameter 900mm.



**Specifications**

Model:	LPE1-WE
Pendant Control:	24VAC circuit, push button with 6metre cable
Input voltage:	380-415V/3phase/50-60Hz (specify voltage requirement when ordering)
Rotation Capacity:	1-metric ton at 300mm
Rotation Speed:	0.1 to 1.2 rpm
Tilting Capacity:	1-metric ton at 300mm c of g
Tilt Range:	0 to 135 Degrees
Tilt Speed:	135 Degree in 65 second
Rotation Drive Motor:	0.75 KW motor
Rotation Drive Control:	0.75 KW AC inverter
Tilt Drive Motor:	0.75KW motor c/w brake
Estimate weight:	950kg

LPE1-WE (1Tonne)

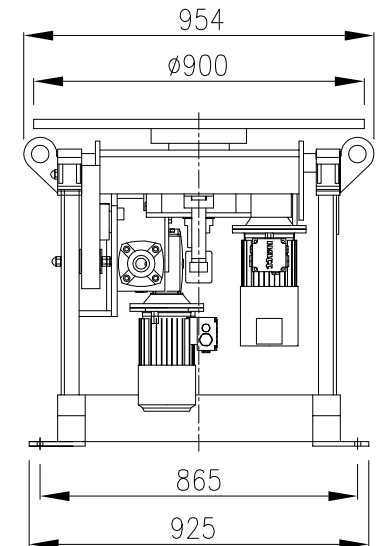
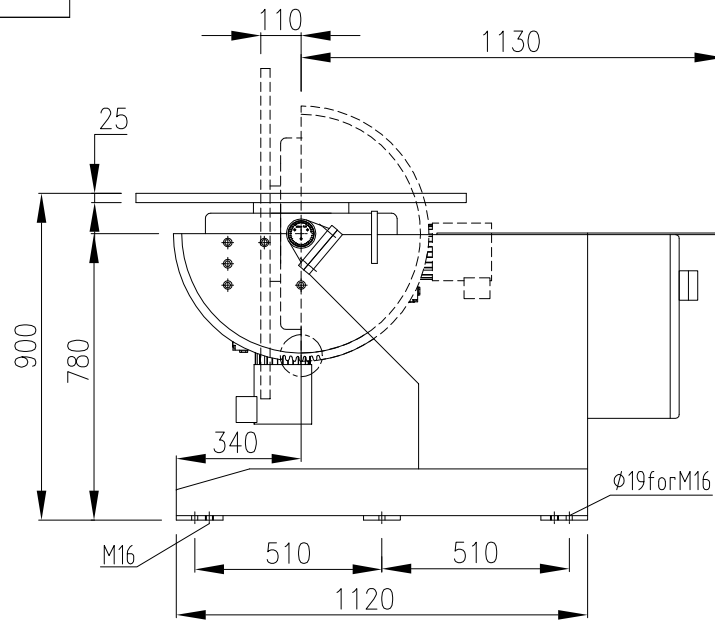
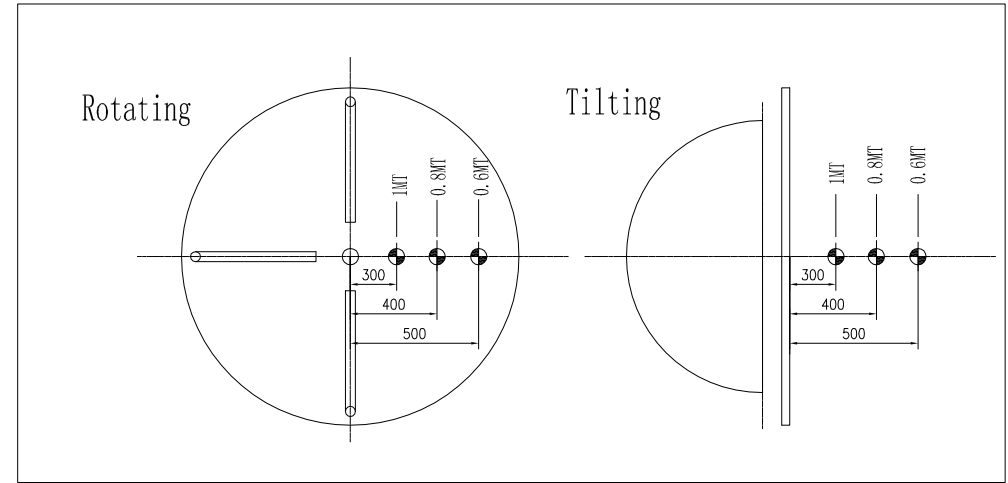
## Specification for Positioner

1	Model	LPE1-WE
2	Capacity (Turning)	1MT @300mm(Please refer to load chart)
3	Capacity (Tilting)	1MT @300mm(Please refer to load chart)
4	Electrical Panel	Yes
5	Rotation Speed/power	0.1-1.2rpm at 5-50Hz /0.75kw c/w force Cooling
6	Tilt Range/power	0-135° in 65sec/0.75kw c/w brake
7	Incoming Supply	380/400/415V-3P-50Hz or 440/460/480V-3P-60Hz
8	Control Voltage	24VAC
9	Rotation Drive Control	0.75kw AC Inverter
10	Control Means	Via Push Button pendant c/w 6m cable
11	Talole Size	ø900X25t C/W 4X slot(19)
12	Earthing	800A
13	Surface Preparation	Gritblast to SA2.5
14	Painting	Powder Coating
15	Color	RAL 3003 RED & RAL9005 Black for tilting box and table
16	Qty	1 unit
17	Est Weight(kg)	675
18	Shipping dimension/cm	100(L)X93(B)X92(H)

Note: :

- 1) This drawing is accurate at time of preparation and may be subjected to final design.
- 2) Input terminals are wired for 400V by default.

## LOAD CHART



ALL DIMENSIONS IN MM, UNLESS OTHERWISE SPECIFIED.

REV	DATE	DESCRIPTION	EDIT BY	REMARKS	SCALE: N.T.S.
CUSTOMER:					
DRAWING NAME:		1T Positioner			
DRAWING NO.:		LPE 1-WE			REVISION: 2
THE ORIGINAL AND ALL COPIES OF THIS DRAWING TOGETHER WITH THE COPYRIGHT THEREOF ARE THE SOLE PROPERTY OF RED ROCK. DESIGN AND SPECIFICATIONS ARE SUBJECT TO CHANGE WITHOUT PRIOR NOTICE.					SHEET: 1 OF 1



CUSTOMER APPROVAL



CHECKED BY:

DRAWN BY:

29-11-2010