



Specification Data

Conventional Rotators

Capacity: 1 Tonne

MODEL: LPP1-S-WD

RedRock rotators are a robust heavy duty design built to withstand the harsh and rugged environments expected in the world of welding and fabrication requirements. Our proven design uses 1 off 254mm diameter 76mm width replaceable hard-wearing polyurethane tyres mounted onto a cast steel drum for maximum durability and superior traction.

The powered drive unit drives all wheels synchronized using the AC gear motors via the latest inverter control. A hand held low voltage control pendant on a 3-metre cable provides the operator with full control of the rotator including a potentiometer for varying the speed, forward/reverse and stop.

All **RedRock** rotators are grit blasted to SA 2.5 for all structural steel and polyurethane paintwork ensuring that your investment provides you with many years of reliable, trouble-free use.

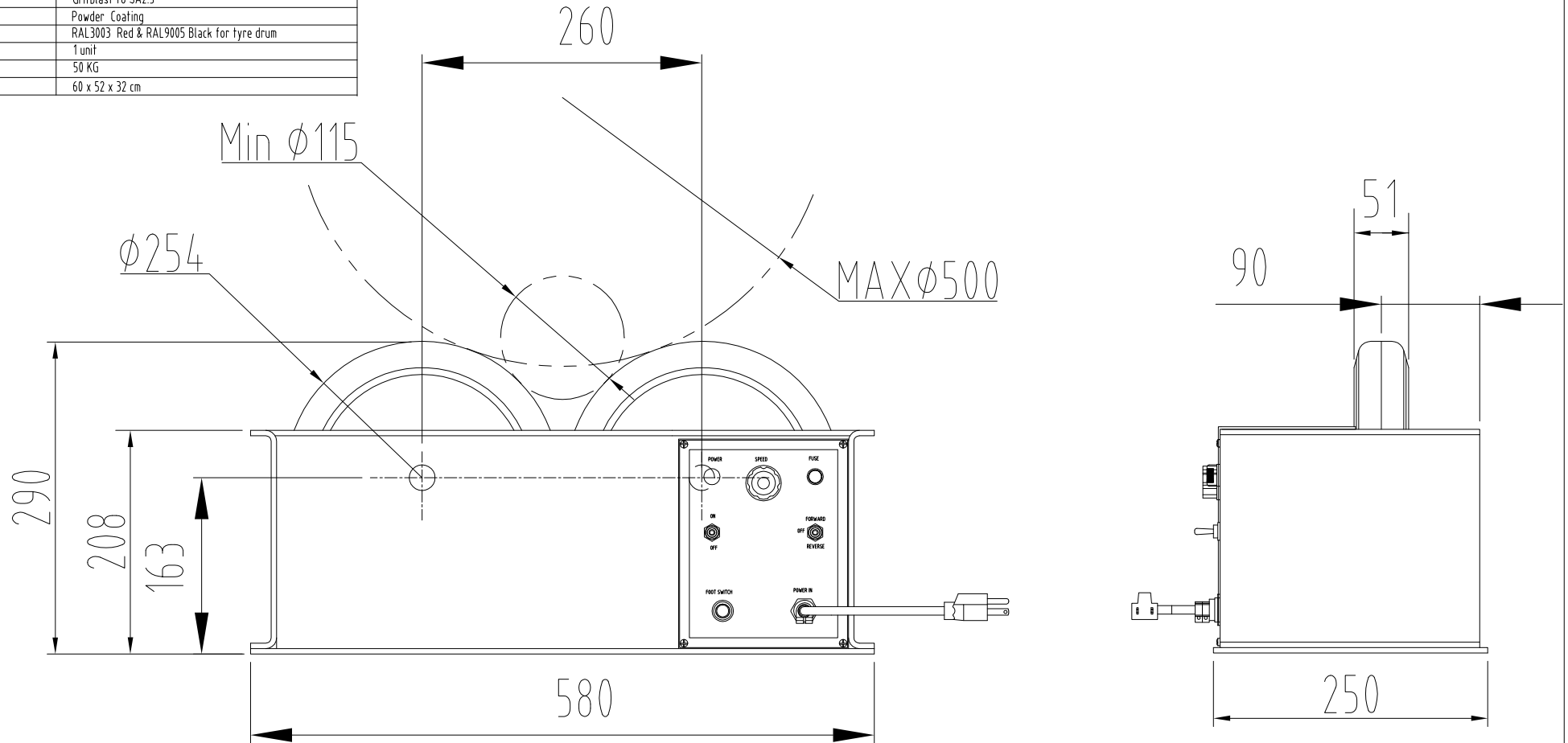
The idler roll has the same dimensions to match the powered drive unit. See GA drawing attached.



Power rolls specifications

Model:	LPP1-S-WD
Load Capacity:	1 metric ton (1 power & 1 idler)
Rotation Capacity:	1 metric ton (1 power)
Rotation Speed:	0 to 5580mm/min
Vessel diameter:	Min 115mm to Max 500mm (at 260mm C-C) @ 40 degree included angle
Incoming supply:	220V/1 Phase/50/hz (specify input voltage when ordering)
Inverter:	DC 100W
Control voltage:	24V low voltage control
Weight:	50Kg Drive 40Kg Idler

Specifications for Rotator	
1 Model	LPP1-S-WD
2 Loading Capacity	0.5 TON
3 Turning Capacity	1 TON
4 Vessel Size Min.	Ø115mm at 90° Included Angle, C-C 260mm
5 Vessel Size Max.	Ø500mm at 40° Included Angle, C-C 260mm
6 Tyre Type & Size	polyurethane, 254mm x 51mm
7 Roller Speed	0 to 5580mm /min at 5 to 50Hz
8 Roller Drive Control	DC 100W
9 Electrical Panel	Yes
10 Incoming Supply	220V -IP-50HZ
11 Control Voltage	24VDC
12 Control Means	Via footswitch c/w 3m cable
13 Surface Preparation	Grifblast to SA2.5
14 Painting	Powder Coating
15 Colour	RAL3003 Red & RAL9005 Black for tyre drum
16 Qty	1 unit
17 Weight	50 KG
18 Shipping dimension	60 x 52 x 32 cm



Note :
 1) This drawing is accurate at time of preparation and may be subjected to final design.

All dimensions in mm unless otherwise specified.



CUSTOMER APPROVAL	CHECKED BY:	DRAWN BY: IC
		01-07-2011

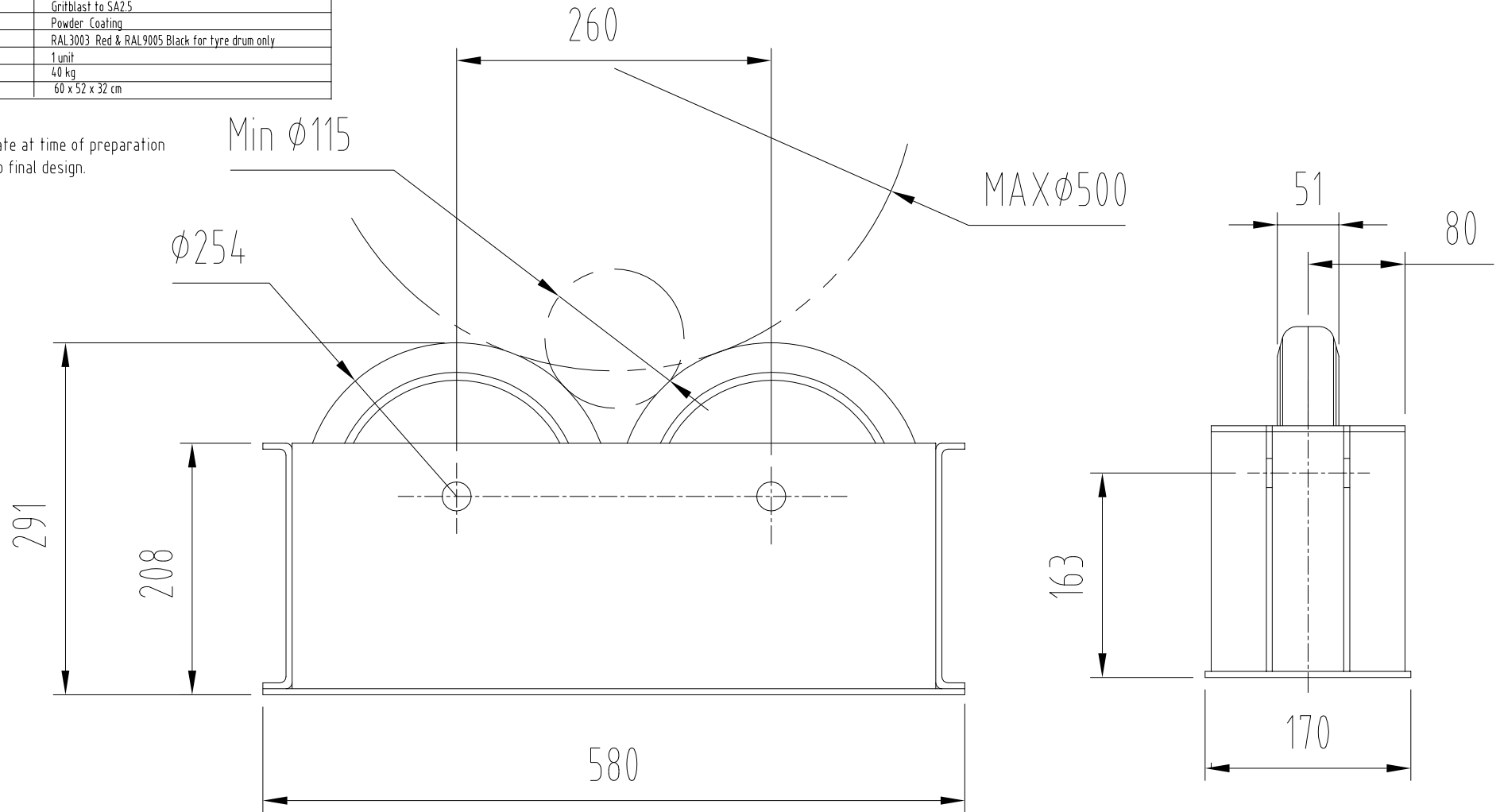
REV	DATE	DESCRIPTION	EDIT BY	REMARKS	SCALE: N.T.S.
CUSTOMER:					⊕
DRAWING NAME:		Rotator 1MT power unit			REVISION: 0
DRAWING NO.:		PD-2009-GA03			SHEET: 1 OF 1
THE ORIGINAL AND ALL COPIES OF THIS DRAWING TOGETHER WITH THE COPYRIGHT THEREOF ARE THE SOLE PROPERTY OF RED ROCK. DESIGN AND SPECIFICATIONS ARE SUBJECT TO CHANGE WITHOUT PRIOR NOTICE.					

Specifications for Rotator

1	Model	LIP1
2	Loading Capacity	0.5 TON
3	Turning Capacity	NA
4	Vessel Size Min.	Ø115mm at 90° Included Angle, C-C 260mm
5	Vessel Size Max.	Ø500mm at 40° Included Angle, C-C 260mm
6	Tyre Type & Size	polyurethane, 254mm x 51mm
7	Surface Preparation	Gritblast to SA2.5
8	Painting	Powder Coating
9	Colour	RAL3003 Red & RAL9005 Black for tyre drum only
10	Qty	1 unit
11	Weight	40 kg
12	Shipping dimension	60 x 52 x 32 cm

Note :

1) This drawing is accurate at time of preparation and may be subjected to final design.



All dimensions in mm unless otherwise specified.



CUSTOMER APPROVAL

CHECKED BY:

DRAWN BY: IC
01-07-2011

REV	DATE	DESCRIPTION	EDIT BY	REMARKS
CUSTOMER:				
DRAWING NAME:		Rotator 1MT Idler		
DRAWING NO.:		PD-2009-GA04		
THE ORIGINAL AND ALL COPIES OF THIS DRAWING TOGETHER WITH THE COPYRIGHT THEREOF ARE THE SOLE PROPERTY OF RED ROCK. DESIGN AND SPECIFICATIONS ARE SUBJECT TO CHANGE WITHOUT PRIOR NOTICE.				SCALE: N.T.S.
				REVISION: 0
				SHEET: 1 OF 1