



Specification Data

Positioners

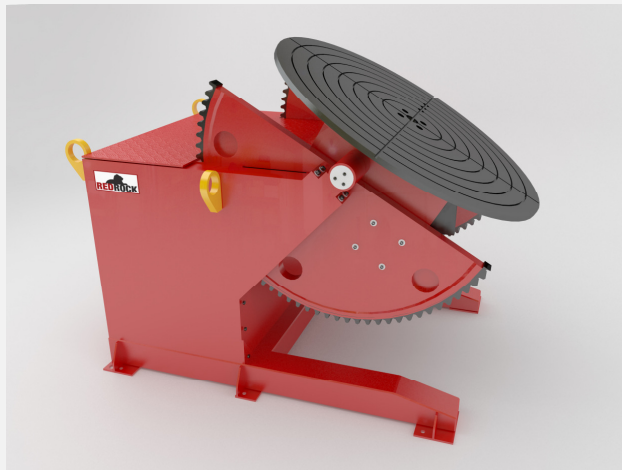
Capacity : 10 Tonne

Fixed Height

Model: PE10-1.8C-WE

RedRock Positioner Model PE10-1.8C-WE Series is designed to give maximum positioning flexibility by using the tilt and rotation of the table to manipulate the work piece into the correct 'down hand' position for welding or to position accurately for assembly and manufacturing requirements . The table is machined with four radial slots for anchor bolts and centric marking on the surface table, a set of tapered bearing mounted below the table to give a smooth and constant turning during operation. Powered driven by AC motor controlled by AC inverter system. A variable speed controlled by a standard control pendant with low voltage push button and potentiometer with a 6-metre control cable built in. Tilt movement is electrically powered driven by 4KW AC motor with dynamic braking through reducer gearbox. Built in with 800amps rotary clamp to ensure good earthing to the welding power source.

Table diameter 1800mm.



Specifications

| | |
|-------------------------|---|
| Model: | PE10-1.8C-WE |
| Pendant Control: | 24VAC circuit, push button with 6metre cable |
| Input voltage: | 380-415V/3phase/50-60Hz (specify voltage requirement when ordering) |
| Rotation Capacity: | 10 metric tons at 300mm |
| Rotation Speed: | 0.048 to 0.48 rpm running at 50Hz |
| Tilting Capacity: | 10 metric tons at 300mm c of g |
| Tilt Range: | 0 to 135 Degrees |
| Tilt Speed: | 135 degrees in 160 seconds running at 50 Hz |
| Rotation Drive Motor: | 1 x 4 KW motor |
| Rotation Drive Control: | 4KW AC inverter |
| Tilt Drive Motor: | 1 x 4KW motor c/w brake |
| Estimate weight: | 4500kg |

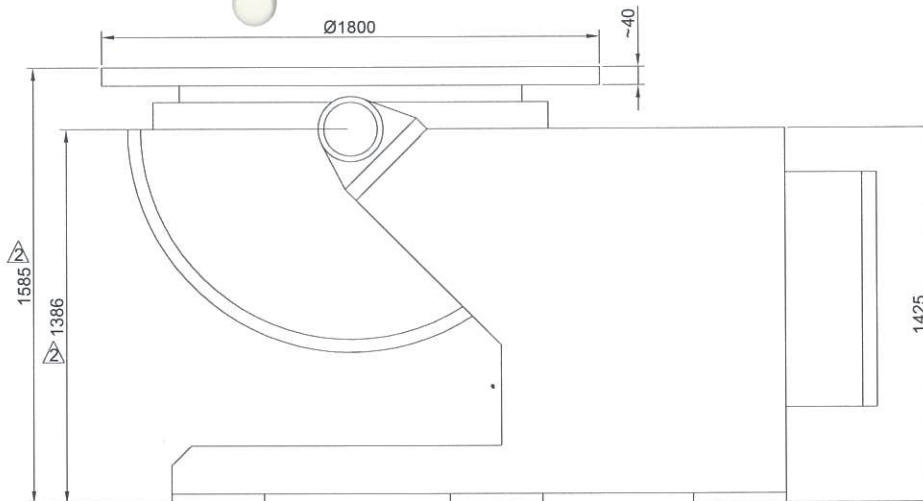
PE10-1.8-C-WE (10 Tonne)

Specifications for Positioner

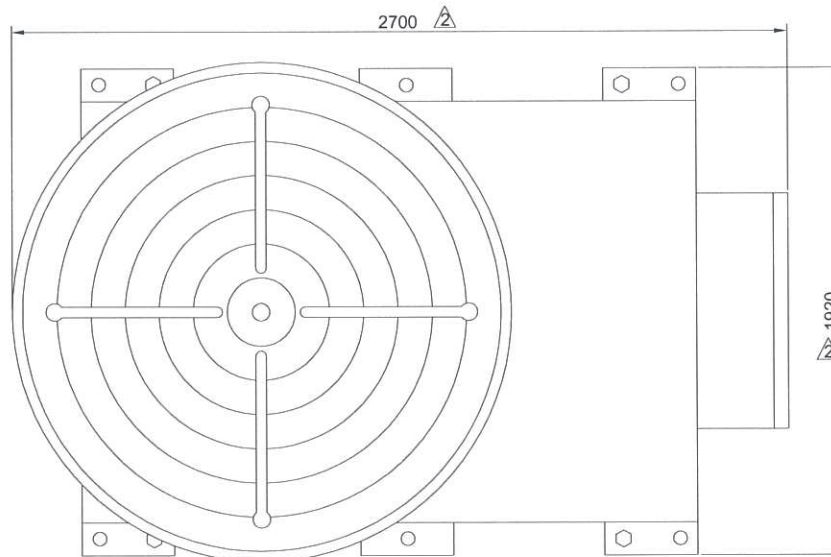
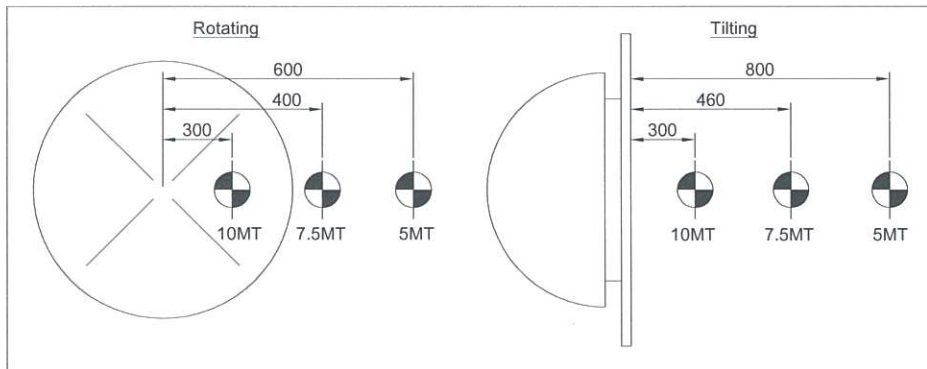
| | | |
|----|------------------------|---|
| 1 | Model | PE10-1.8C-WE |
| 2 | Capacity | 10 Metric Ton |
| 3 | Table Size | Dia. 1800mm |
| 4 | Rotation Speed | 0.048~0.48rpm running at 5~50Hz |
| 5 | Tilt Speed | 135° in 160s running at 50Hz |
| 6 | Tilt Range | 0° ~ 135° |
| 7 | Electrical Panel | Yes |
| 8 | Slots | 4x 19mm Through Slots |
| 9 | Incoming Supply | 380/400/415V-3P-50Hz or 440/460/480V-3P-60Hz ¹ |
| 10 | Control Voltage | 24Vac |
| 11 | Rotation Drive Control | 4kW AC Inverter |
| 12 | Rotation Drive | 4kW AC Motor c/w Force Cooling Fan |
| 13 | Tilt Drive Control | N.A. |
| 14 | Tilt Drive | 4kW AC Motor c/w Brake |
| 15 | Control Means | Via Push Button Pendant c/w 6m Cable |
| 16 | Surface Preparation | Gritblast to SA2.5 |
| 17 | Painting | Lead free, 2 Coats Zinc Phosphate, 1 Coat Polyurethane |
| 18 | Colour | RAL3003 Red & RAL 9005 Black for tilting box and table |
| 19 | Qty | 1 Unit |
| 20 | Weight | ~4500kg |
| 21 | Shipping Size | 271 x 202 x 159 cm |

Note:

1. Input terminals are wired for 400V by default.
2. This drawing is accurate at the time of preparation and maybe subjected to final design changes.



Load Chart



All dimensions in mm unless otherwise specified.

| 2 | 09-06-11 | Update on dimensions and tilting speed | IC | |
|-----|----------|--|---------|---------|
| 1 | 30-03-11 | Change in rotational speed | IC | |
| REV | DATE | DESCRIPTION | EDIT BY | REMARKS |



CUSTOMER APPROVAL



CHECKED BY:

DRAWN BY: IC



CUSTOMER:

DRAWING NAME: Positioner 10MT

DRAWING NO.: PD-0054-GA02

THE ORIGINAL AND ALL COPIES OF THIS DRAWING TOGETHER WITH THE COPYRIGHT THEREOF ARE THE SOLE PROPERTY OF REDROCK. DESIGN AND SPECIFICATIONS ARE SUBJECT TO CHANGE WITHOUT PRIOR NOTICE.

SCALE: N.T.S.

REVISION: 2

SHEET: 1 OF 1