



Specification Data

Positioners

Capacity : 15 Tonne

Fixed Height

Model: PE15-1.8C-WE

RedRock Positioner Model PE15-1.8C-WE Series is designed to give maximum positioning flexibility by using the tilt and rotation of the table to manipulate the work piece into the correct 'down hand' position for welding or to position accurately for assembly and manufacturing requirements. The table is machined with four radial slots for anchor bolts and centric marking on the surface table, a set of tapered bearing mounted below the table to give a smooth and constant turning during operation. Powered driven by AC motor controlled by AC inverter system. A variable speed controlled by a standard control pendant with low voltage push button and potentiometer with a 6-metre control cable built in. Tilt movement is electrically powered driven by 7.5KW AC motor with dynamic braking through reducer gearbox. Built in with 800amps rotary clamp to ensure good earthing to the welding power source.

Table diameter 1800mm.



Specifications

Model:	PE15-1.8C-WE
Pendant Control:	24VAC circuit, push button with 6metre cable
Input voltage:	380-415V/3phase/50-60Hz (specify voltage requirement when ordering)
Rotation Capacity:	15 metric tons at 300mm
Rotation Speed:	0.01 to 1 rpm
Tilting Capacity:	15 metric tons at 300mm c of g
Tilt Range:	0 to 135 Degrees
Tilt Speed:	135 degrees in 120 seconds
Rotation Drive Motor:	1 x 5.5 KW motor
Rotation Drive Control:	5.5KW AC inverter
Tilt Drive Motor:	1 x 7.5KW motor c/w brake
Estimate weight:	7100kg

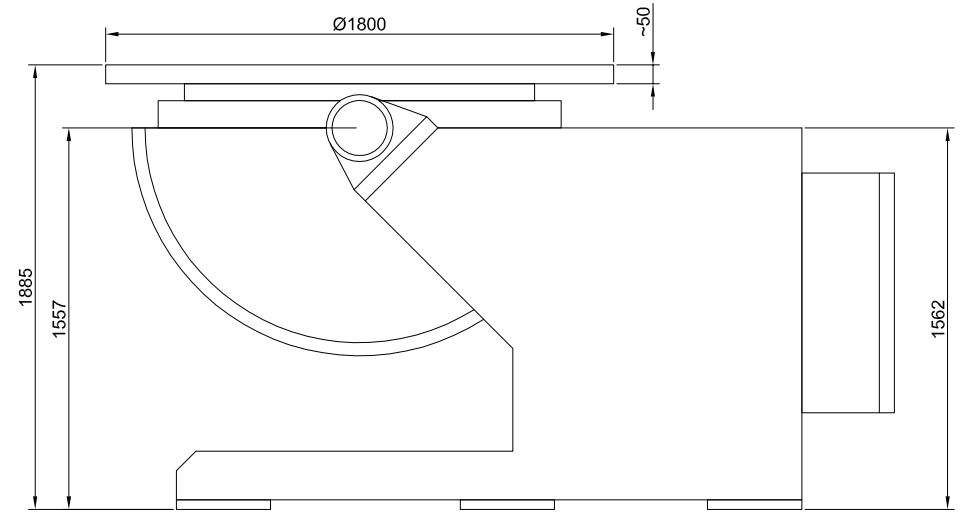
PE15-1.8-C-WE (15 Tonne)

Specifications for Positioner

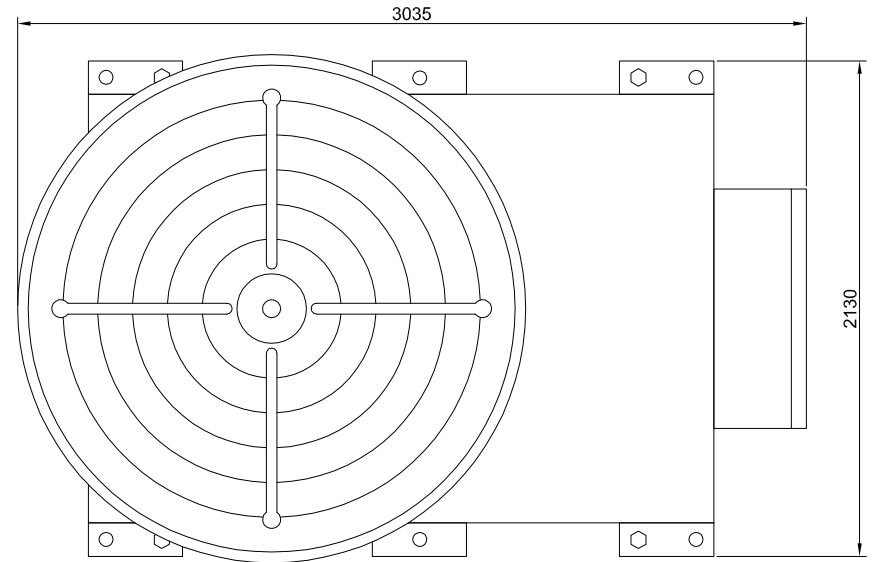
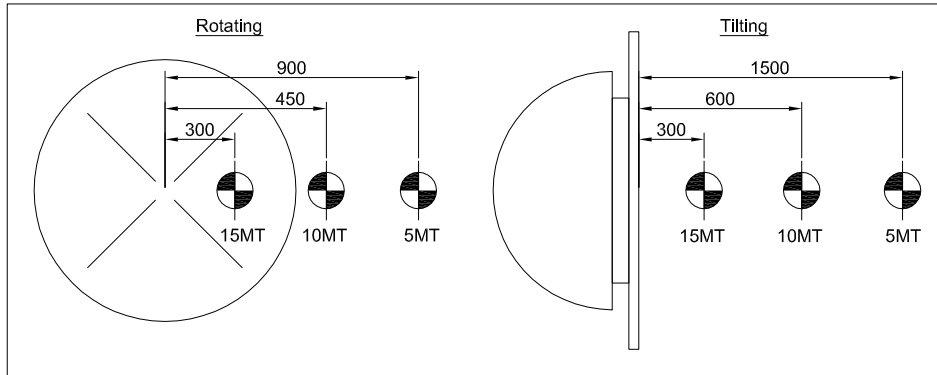
1	Model	PE15-1.8C-WE
2	Capacity	15 Metric Ton
3	Table Size	Dia. 1800mm
4	Rotation Speed	0.1~1rpm running at 5~50Hz
5	Tilt Speed	135° in 120s running at 50Hz
6	Tilt Range	0° ~ 135°
7	Electrical Panel	Yes
8	Slots	4x Through Slots
9	Incoming Supply	380/400/415V-3P-50Hz or 440/460/480V-3P-60Hz ¹
10	Control Voltage	24Vac
11	Rotation Drive Control	5.5kW AC Inverter
12	Rotation Drive	5.5kW AC Motor c/w Force Cooling Fan
13	Tilt Drive Control	N.A.
14	Tilt Drive	7.5kW AC Motor c/w Brake
15	Control Means	Via Push Button Pendant c/w 6m Cable
16	Surface Preparation	Gritblast to SA2.5
17	Painting	Lead free, 2 Coats Zinc Phosphate, 1 Coat Polyurethane
18	Colour	RAL3003 Red & RAL 9005 for tilting box and table
19	Qty	1 Unit
20	Weight	~7100kg
21	Shipping Size	304 x 213 x 189 cm

Note:


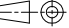
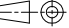
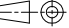
1. Input terminals are wired for 400V by default.
2. This drawing is accurate at the time of preparation and maybe subjected to final design changes.



Load Chart



All dimensions in mm unless otherwise specified.

	CUSTOMER APPROVAL	CHECKED BY:	DRAWN BY: SF	<table border="1"> <tr><th>REV</th><th>DATE</th><th>DESCRIPTION</th><th>EDIT BY</th><th>REMARKS</th></tr> <tr><td> </td><td> </td><td> </td><td> </td><td> </td></tr> </table>	REV	DATE	DESCRIPTION	EDIT BY	REMARKS						<table border="1"> <tr><td>CUSTOMER:</td><td>SCALE: N.T.S.</td></tr> <tr><td>DRAWING NAME: Positioner 15MT</td><td></td></tr> <tr><td>DRAWING NO.: PE15-1.8C-WE</td><td>REVISION: 0</td></tr> <tr><td>THE ORIGINAL AND ALL COPIES OF THIS DRAWING TOGETHER WITH THE COPYRIGHT THEREOF ARE THE SOLE PROPERTY OF REDROCK. DESIGN AND SPECIFICATIONS ARE SUBJECT TO CHANGE WITHOUT PRIOR NOTICE.</td><td>SHEET: 1 OF 1</td></tr> </table>	CUSTOMER:	SCALE: N.T.S.	DRAWING NAME: Positioner 15MT		DRAWING NO.: PE15-1.8C-WE	REVISION: 0	THE ORIGINAL AND ALL COPIES OF THIS DRAWING TOGETHER WITH THE COPYRIGHT THEREOF ARE THE SOLE PROPERTY OF REDROCK. DESIGN AND SPECIFICATIONS ARE SUBJECT TO CHANGE WITHOUT PRIOR NOTICE.	SHEET: 1 OF 1
	REV	DATE	DESCRIPTION	EDIT BY	REMARKS																		
	CUSTOMER:	SCALE: N.T.S.																					
	DRAWING NAME: Positioner 15MT																						
DRAWING NO.: PE15-1.8C-WE	REVISION: 0																						
THE ORIGINAL AND ALL COPIES OF THIS DRAWING TOGETHER WITH THE COPYRIGHT THEREOF ARE THE SOLE PROPERTY OF REDROCK. DESIGN AND SPECIFICATIONS ARE SUBJECT TO CHANGE WITHOUT PRIOR NOTICE.	SHEET: 1 OF 1																						
			27-07-2010																				