



Specification Data

Positioners

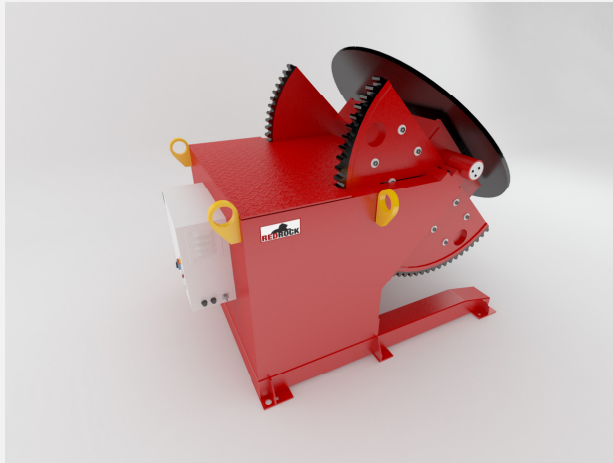
Capacity : 20 Tonne

Fixed Height

Model: PE20-2.2C-WE

RedRock Positioner Model PE20-2.2C-WE Series capacity designed to give maximum positioning benefit by using tilt and rotation of the table for the work piece. The table is machined with four radial slots for anchor bolts and centric marking on the surface table, a set of tapered bearing mounted below the table to give a smooth and constant turning during operation. Powered driven by AC motor controlled by AC inverter system. A variable speed controlled by a standard control pendant with low voltage push button and potentiometer with a 6-metre control cable built in. Tilt movement is electrically powered driven by 9.2KW AC motor with dynamic braking through reducer gearbox. Built in with 800amps rotary clamp to ensure good earthing to the welding power source.

There are various table diameters available at 900mm, 1200mm and 1500mm or square table (specify table diameter when ordering).



Specifications

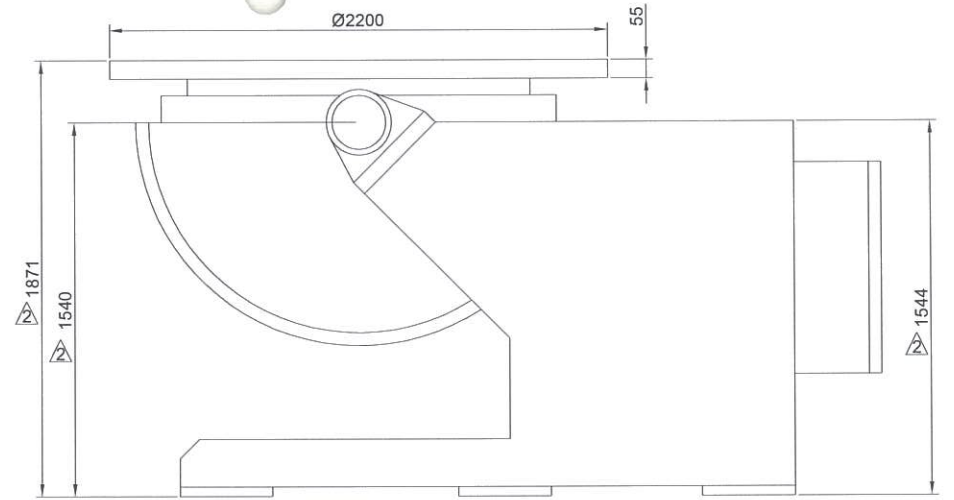
Model:	PE20-2.2C-WE
Pendant Control:	24VAC circuit, push button with 6metre cable
Input voltage:	380-415V/3phase/50-60Hz (specify voltage requirement when ordering)
Turning Capacity:	20 metric tons at 300mm
Rotation Speed:	0.039 to 0.39 rpm running at 50Hz
Tilting Capacity:	20 metric tons at 300mm c of g
Tilt Range:	0 to 135 Degrees
Tilt Speed:	135 degrees in 150 seconds running at 50Hz
Rotation Drive Motor:	1 x 9.2 KW motor
Rotation Drive Control:	11KW AC inverter
Tilt Drive Motor:	1 x 9.2KW motor c/w brake
Estimate weight:	10000kg

Specifications for Positioner

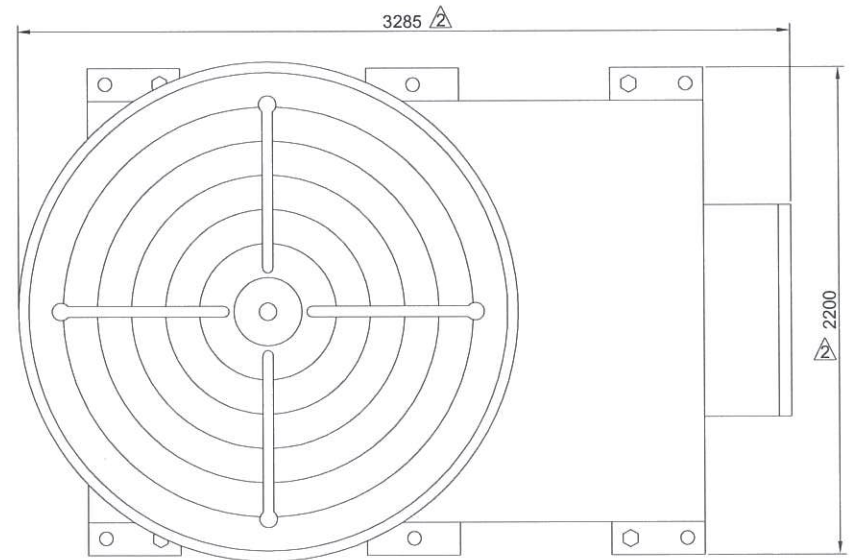
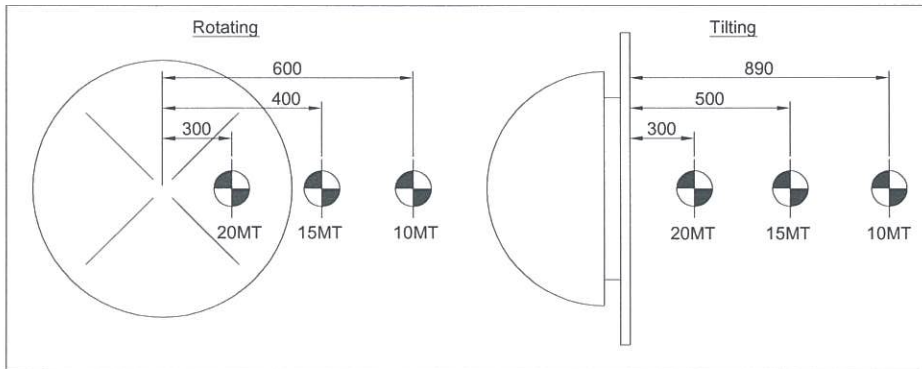
1	Model	PE20-2.2C-WE
2	Capacity	20 Metric Ton
3	Table Size	Dia. 2200mm
4	Rotation Speed	0.039~0.39rpm running at 5~50Hz
5	Tilt Speed	135° in 150s running at 50Hz
6	Tilt Range	0° ~ 135°
7	Electrical Panel	Yes
8	Slots	4x 26mm Through Slots
9	Incoming Supply	380/400/415V-3P-50Hz or 440/460/480V-3P-60Hz
10	Control Voltage	24Vac
11	Rotation Drive Control	11kW AC Inverter
12	Rotation Drive	9.2kW AC Motor c/w Force Cooling Fan
13	Tilt Drive Control	N.A.
14	Tilt Drive	9.2kW AC Motor c/w Brake
15	Control Means	Via Push Button Pendant c/w 6m Cable
16	Surface Preparation	Gritblast to SA2.5
17	Painting	Lead free, 2 Coats Zinc Phosphate, 1 Coat Polyurethane
18	Colour	RAL3003 Red & RAL9005 for tilting box and table
19	Qty	2 Units
20	Weight	~10000kg
21	Shipping Size	319 x 213 x 190 cm

Note:

1. Input terminals are wired for 400V by default.
2. This drawing is accurate at the time of preparation and maybe subjected to final design changes.



Load Chart



2	18-04-11	Update of dimensions	IC	
1	30-03-11	Change in rotational speed and motor kw of rotational & tilting	IC	
REV	DATE	DESCRIPTION	EDIT BY	REMARKS

All dimensions in mm unless otherwise specified.



CUSTOMER APPROVAL



CHECKED BY:



CUSTOMER:		SCALE: N.T.S.	
DRAWING NAME: Positioner 20MT		REVISION: 2	
DRAWING NO.: PD-0054-GA03		SHEET: 1 OF 1	
THE ORIGINAL AND ALL COPIES OF THIS DRAWING TOGETHER WITH THE COPYRIGHT THEREOF ARE THE SOLE PROPERTY OF REDROCK. DESIGN AND SPECIFICATIONS ARE SUBJECT TO CHANGE WITHOUT PRIOR NOTICE.			