



## Specification Data

### Positioners

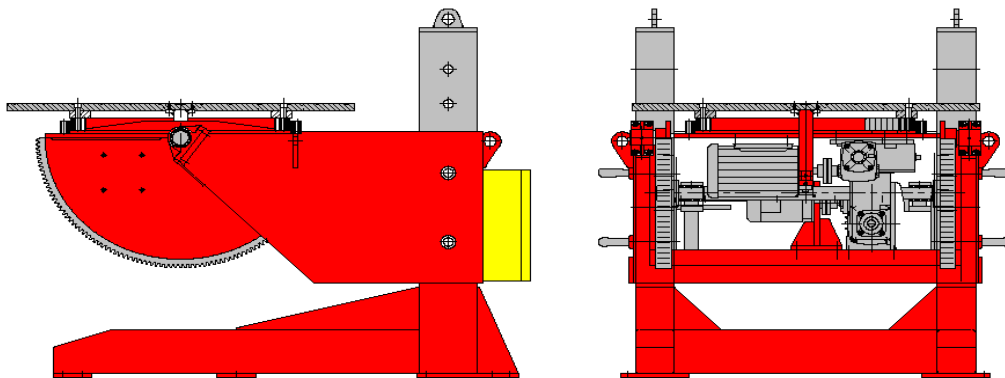
Capacity : 25 Tonne

Adjustable Height

Model: PE25-2.2C-WE-E

**RedRock** Positioner Model PE25-2.2C-WE-E Series is designed to give maximum positioning flexibility by using the tilt and rotation of the table to manipulate the work piece into the correct 'down hand' position for welding or to position accurately for assembly and manufacturing requirements. The table is machined with four radial slots for anchor bolts and centric marking on the surface table, a set of tapered bearing mounted below the table to give a smooth and constant turning during operation. Powered driven by AC motor controlled by AC inverter system. A variable speed controlled by a standard control pendant with low voltage push button and potentiometer with a 6-metre control cable built in. Tilt movement is electrically powered driven by 9.2KW AC motor with dynamic braking through reducer gearbox. Built in with 800amps rotary clamp to ensure good earthing to the welding power source.

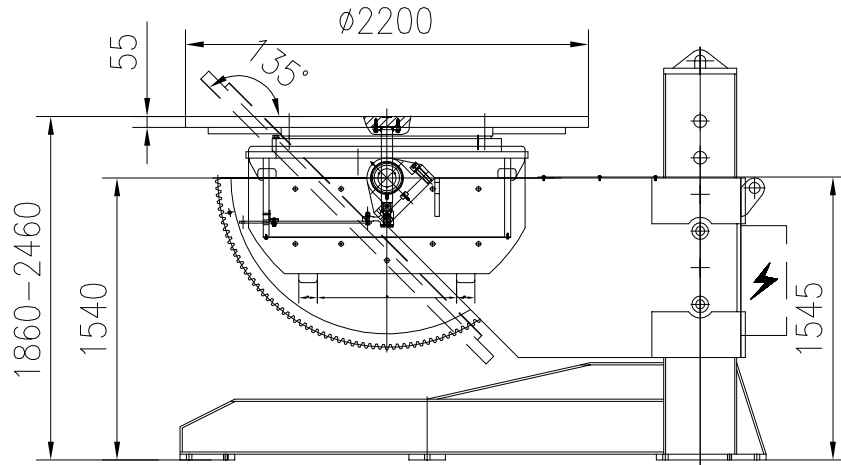
Table diameter 2200mm or as specified by the customer.



### Specifications

Model:	PE25-2.2C-WE-E
Pendant Control:	24VAC circuit, push button with 6metre cable
Input voltage:	380-415V/3phase/50-60Hz (specify voltage requirement when ordering)
Rotation Capacity:	25 metric tons at 300mm
Rotation Speed:	0.035 to 0.35 rpm
Tilting Capacity:	25 metric tons at 300mm c of g
Tilt Range:	0 to 135 Degrees
Tilt Speed:	135 degrees in 200 seconds
Rotation Drive Motor:	1 x 9.2 KW motor
Rotation Drive Control:	AC inverter
Tilt Drive Motor:	1 x 9.2KW motor c/w brake
Estimate weight:	10000kg

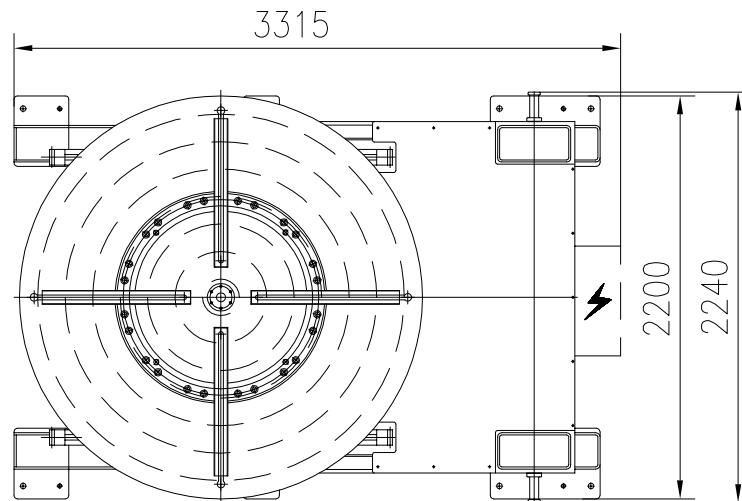
PE25-2.2-C-WE-E (25 Tonne)



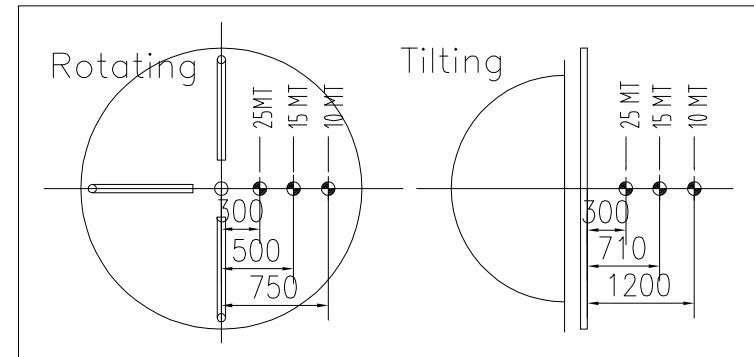
1	Model	PE25-2.2C-WE-E
2	Capacity (Turning)	25 MT at 300mm
3	Capacity (Tilting)	25 MT at 300mm
4	Tilt Range	0°-135°
5	Rotation Speed	0.035-0.35rpm running at 5-50Hz
6	Tilt Speed	135 in 200 sec
7	Power Supply	380/400/415V-3P-50Hz or 440/460/480-3P-60Hz
8	Control Voltage	NA
9	Rotation Drive Control	NA
10	Rotation Drive motor	1x9.2kw motor c/w Force Cooling
11	Tilt Drive Control	NA
12	Tilt Drive motor	1x9.2kw motor c/w with Brake
13	Control Means	NA
14	Electrical Panel	NA
15	Earthing	800A
16	Surface Preparation	Gritblast to SA2.5
17	Painting	Lead free, 2 coats Zinc Phosphate, 1 coat Polyurethane
18	Color	RAL3003 Red & RAL9005 BLACK for tilting box and table
19	Qty	1 unit
20	Weight	~10000kg

Note:


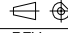
1. This drawing is accurate at the time of preparation and maybe subject to final design change.
2. Input terminals are wired for 400V by default.



### LOAD CHART



ALL DIMENSIONS IN MM, UNLESS OTHERWISE SPECIFIED.

	CUSTOMER APPROVAL:	CHECKED BY:	DRAWN BY: IC	REV	DATE	DESCRIPTION	EDIT BY	REMARKS	SCALE:	
				CUSTOMER:					N.T.S.	
				DRAWING NAME:			Positioner 25MT			
				DRAWING NO.:			PE25-2.2C-WE-E			REV: 0
	DATE:	DATE:	DATE: 18-02-2011	THE ORIGINAL AND ALL COPIES OF THIS DRAWING TOGETHER WITH THE COPYRIGHT THEREOF ARE THE SOLE PROPERTY OF RED ROCK. DESIGN AND SPECIFICATIONS ARE SUBJECT TO CHANGE WITHOUT PRIOR NOTICE.					SHEET: 1 OF 1	