



## Specification Data

### Positioners

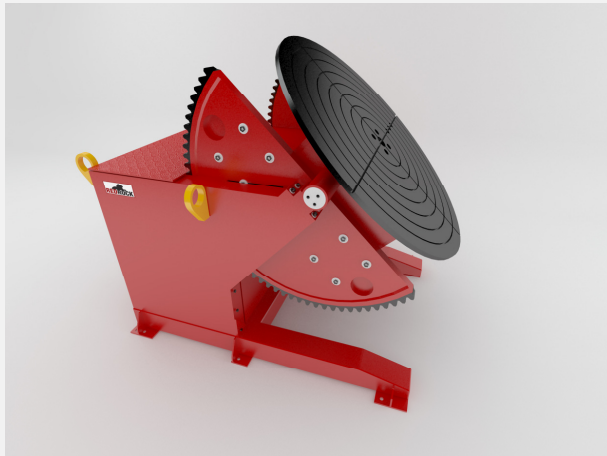
Capacity : 35 Tonne

Fixed Height

Model: PE35-2.2C-WE

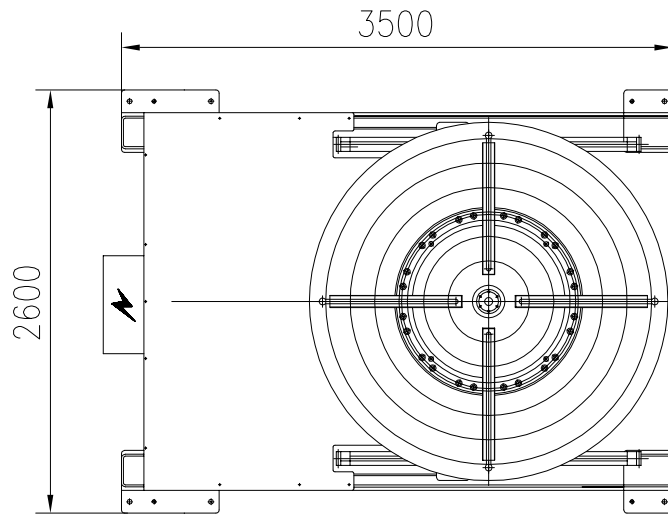
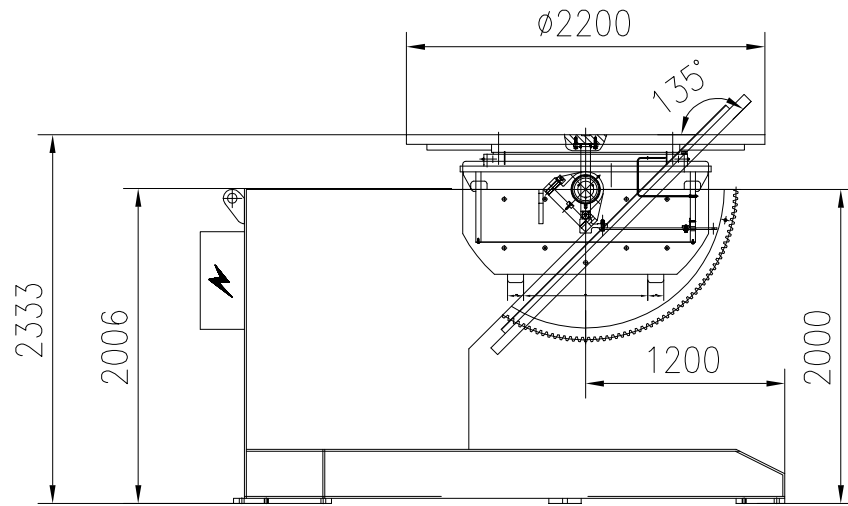
**Red Rock** Positioner Model PE35-2.2C-WE Series capacity designed to give maximum positioning benefit by using tilt and rotation of the table for the work piece. The table is machined with four radial slots for anchor bolts and centric marking on the surface table, a set of tapered bearing mounted below the table to give a smooth and constant turning during operation. Powered driven by AC motor controlled by AC inverter system. A variable speed controlled by a standard control pendant with low voltage push button and potentiometer with a 6-metre control cable built in. Tilt movement is electrically powered driven by 11KW AC motor with dynamic braking through reducer gearbox. Built in with 800amps rotary clamp to ensure good earthing to the welding power source.

There are various table diameters available at 900mm, 1200mm and 1500mm or square table (specify table diameter when ordering)



## Specifications

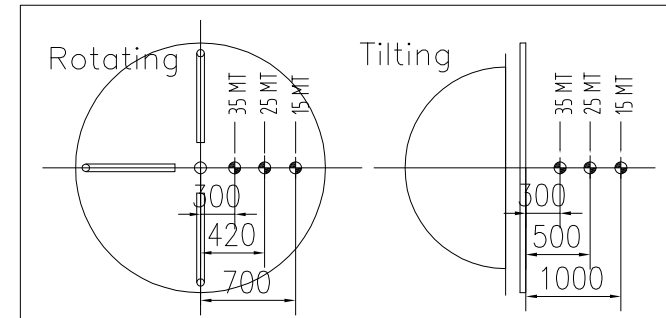
Model:	PE35-2.2C-WE
Pendant Control:	24VAC circuit, push button with 6metre cable
Input voltage:	380-415V/3phase/50-60Hz (specify voltage requirement when ordering)
Turning Capacity:	35 metric tons at 300mm
Rotation Speed:	0.029 to 0.29 rpm
Tilting Capacity:	35 metric tons at 300mm c of g
Tilt Range:	0 to 135 Degrees
Tilt Speed:	135 degrees in 158 seconds
Rotation Drive Motor:	1 x 11 KW motor
Rotation Drive Control:	15KW AC inverter
Tilt Drive Motor:	1 x 11KW motor c/w brake
Estimate weight:	12000kg



1	Model	PE35-2.2C-WE
2	Capacity (Turning)	35 MT at 300mm
3	Capacity (Tilting)	35 MT at 300mm
4	Tilt Range	0°-135°
5	Rotation Speed	0.029-0.29rpm running at 5-50Hz
6	Tilt Speed	135 in 158 sec
7	Power Supply	380/400/415V-3P-50Hz or 440/460/480V-3P-60Hz
8	Control Voltage	NA
9	Rotation Drive Control	15KW AC Inverter
10	Rotation Drive motor	1x11kw motor c/w Force Cooling
11	Tilt Drive Control	NA
12	Tilt Drive motor	1x11kw motor c/w with Brake
13	Control Means	NA
14	Electrical Panel	Yes
15	Earthing	800A
16	Surface Preparation	Gritblast to SA2.5
17	Painting	2 coats Zinc Phosphate, 1 coat Polyurethane
18	Color	RAL 3003 Red & RAL 9005 Black for tilting box and table
19	Qty	1 unit

Note: 1) This drawing is for illustration only and subjected to final design and site confirmation;  
 2) Input terminals are wired for 400V by default.

LOAD CHART



ALL DIMENSIONS IN MM, UNLESS OTHERWISE SPECIFIED.



CUSTOMER APPROVAL:

DATE:

CHECKED BY:

DATE:

DRAWN BY: IC

DATE: 28-01-2011

REV	DATE	DESCRIPTION	EDIT BY	REMARKS
CUSTOMER:				
DRAWING NAME:		POSITIONER 35MT		
DRAWING NO.:		PE35-2.2C-WE		
THE ORIGINAL AND ALL COPIES OF THIS DRAWING TOGETHER WITH THE COPYRIGHT THEREOF ARE THE SOLE PROPERTY OF RED ROCK. DESIGN AND SPECIFICATIONS ARE SUBJECT TO CHANGE WITHOUT PRIOR NOTICE.				SCALE: N.T.S.
				REV: 0
				SHEET: 1 OF 1