



Specification Data
Positioners
Capacity : 5 Tonne
Fixed Height

RedRock Positioner Model PE5-1.5C-WE Series is designed to give maximum positioning flexibility by using the tilt and rotation of the table to manipulate the work piece into the correct 'down hand' position for welding or to position accurately for assembly and manufacturing requirements. The table is machined with four radial slots for anchor bolts and centric marking on the surface table, a set of tapered bearing mounted below the table to give a smooth and constant turning during operation. Powered driven by AC motor controlled by AC inverter system. A variable speed controlled by a standard control pendant with low voltage push button and potentiometer with a 6-metre control cable built in. Tilt movement is electrically powered driven by 3 KW AC motor with dynamic braking through reducer gearbox. Built in with 800amps rotary clamp to ensure good earthing to the welding power source.

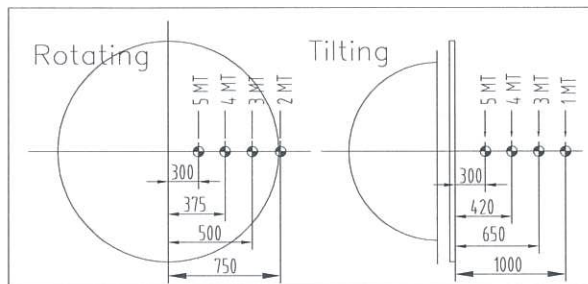
Table diameter 1500mm.



Specifications

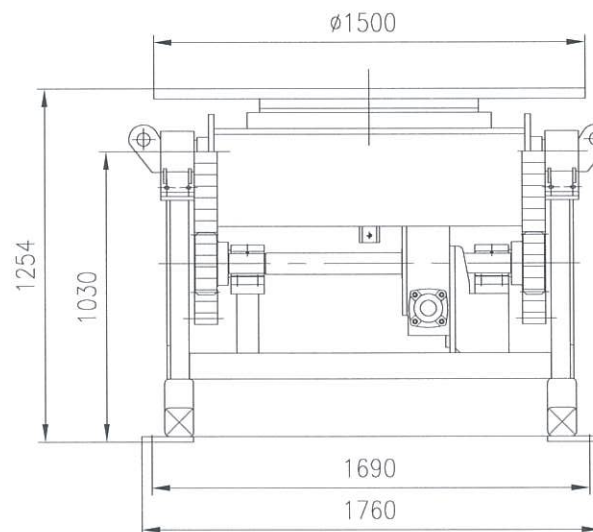
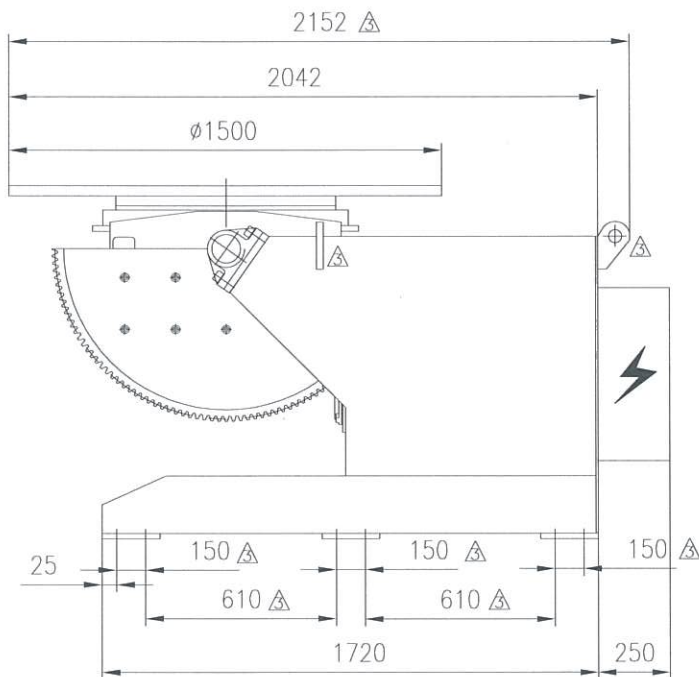
| | |
|-----------------------|---|
| Model: | PE5-1.5C-WE |
| Pendant Control: | 24VAC circuit, push button with 6metre cable |
| Input voltage: | 380-415V/3phase/50-60Hz (specify voltage requirement when ordering) |
| Rotation Capacity: | 5 metric tons at 300mm |
| Rotation Speed: | 0.08 to 0.8 rpm |
| Tilting Capacity: | 5 metric tons at 300mm c of g |
| Tilt Range: | 0 to 135 Degrees |
| Tilt Speed: | 135 degrees in 113 seconds |
| Rotation Drive Motor: | 1 x 3 KW motor |
| Tilt Drive Motor: | 1 x 3KW motor c/w brake |
| Estimate weight: | 3100kg |

LOAD CHART



| | | |
|----|----------------------|---|
| 1 | Model | PE5-1.5C-WE |
| 2 | Capacity (Turning) | 5 MT at 300mm |
| 3 | Capacity (Tilting) | 5 MT at 300mm |
| 4 | Tilt Range | 0°-135° |
| 5 | Rotation Speed | 0.08-0.8rpm running at 5-50Hz |
| 6 | Tilt Speed | 135 in 11.3 sec |
| 7 | Power Supply | 380/400/415V-3P-50Hz or 440/460/480V-3P-60Hz |
| 8 | Control Voltage | 24VAC |
| 9 | Control Means | Via push button pendant c/w 6m cable |
| 10 | Rotation Drive motor | 1x3kw motor c/w Force Cooling |
| 11 | Tilt Drive motor | 1x3kw motor c/w with Brake |
| 12 | Electrical Panel | Yes |
| 13 | Earthing | 800A |
| 14 | Surface Preparation | Gritblast to SA2.5 |
| 15 | Painting | Lead free, 2 coats Zinc Phosphate, 1 coat of Polyurethane |
| 16 | Color | RAL3003 Red & RAL9005 Black for tilting box and table |
| 17 | Qty | 4 Units |

Note:
 1. Input terminals are wired for 400V by default.
 2. This drawing is accurate at the time of preparation and maybe subjected to final design changes.



CONTROLLED TO:
 Project *[Signature]*
 IVAN
 21.12.2011
 CHOO

ALL DIMENSIONS IN MM, UNLESS OTHERWISE SPECIFIED.



CUSTOMER APPROVAL:

WILLIAM
 11.7.2011
 KOH *[Signature]*

DATE:

CHECKED BY:

DATE:

DRAWN BY: IC

SHAWN
 FAN *[Signature]*
 DATE: 25-02-2011

| 3 | 11-07-11 | Changes in dimensions and addition of lifting lug position | IC | |
|--|----------|--|---------|---------------|
| 2 | 05-07-11 | Changes in dimensions | IC | |
| 1 | 30-03-11 | Change in kw of the rotational drive motor | IC | |
| REV | DATE | DESCRIPTION | EDIT BY | REMARKS |
| CUSTOMER: | | | | |
| DRAWING NAME: Positioner 5MT | | | | |
| DRAWING NO.: PD-0054-GA01 | | | | |
| THE ORIGINAL AND ALL COPIES OF THIS DRAWING TOGETHER WITH THE COPYRIGHT THEREOF ARE THE SOLE PROPERTY OF RED ROCK. DESIGN AND SPECIFICATIONS ARE SUBJECT TO CHANGE WITHOUT PRIOR NOTICE. | | | | |
| SCALE: N.T.S. | | | | SHEET: 1 OF 1 |