



## Specification Data

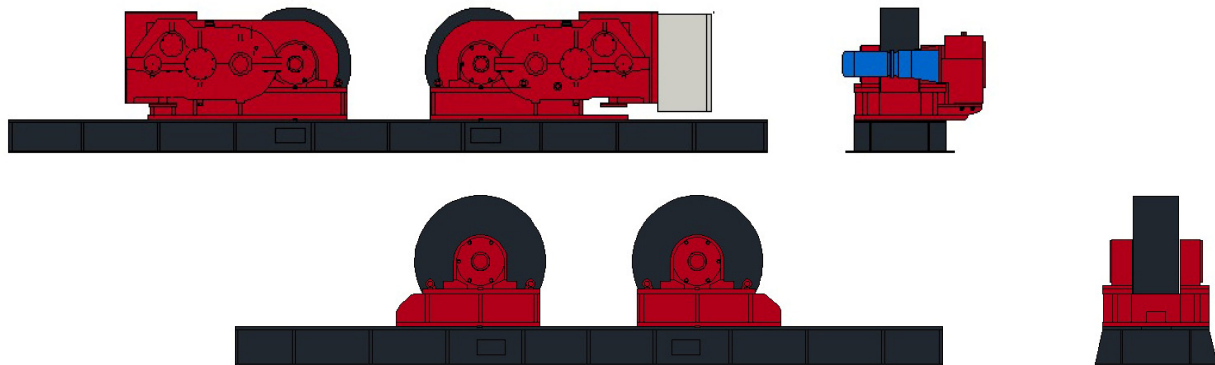
**Conventional Rotators**  
**Capacity : 1000 tonnes**  
**MODEL: REPS1000/1000-39-FM-WE**  
**Fitted with steel wheels**

**RedRock** rotators are a robust heavy duty design built to withstand the harsh and rugged environments expected in the world of welding and fabrication requirements. Our proven design uses 1016mm diameter 350mm width.

The powered drive unit drives all wheels synchronized using the AC gear motors via the latest inverter control. A hand held low voltage control pendant on a 10-metre cable provides the operator with full control of the rotator including a potentiometer for varying the speed, forward/reverse and stop.

All **RedRock** rotators are grit blasted to SA 2.5 for all structural steel and polyurethane paintwork ensuring that your investment provides you with many years of reliable, trouble-free use.

The idler roll has the same dimension to match the powered drive unit. See GA drawing attached.



### Power rolls specifications

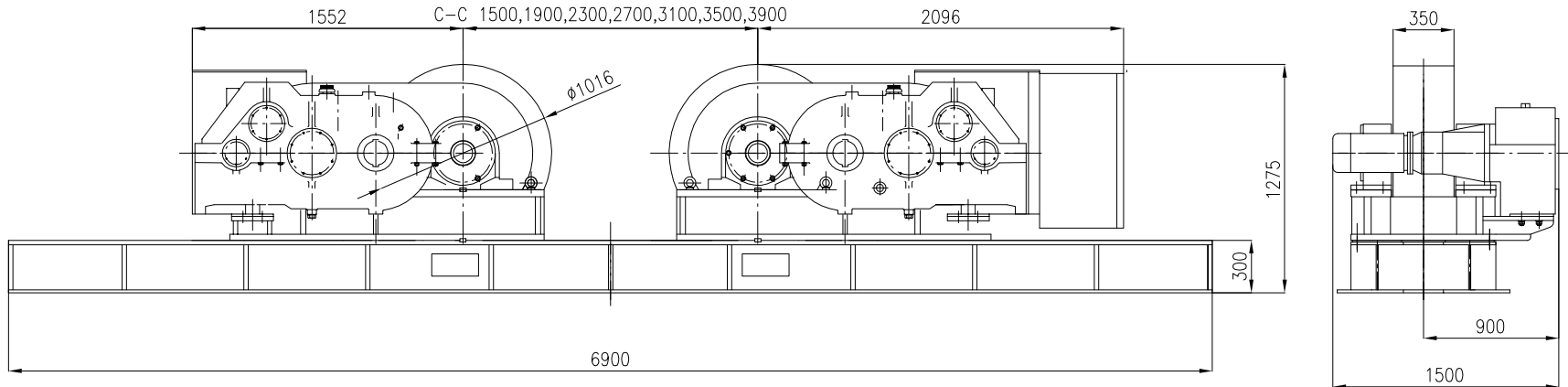
Model:	REPS1000/1000-39-FM-WE
Load Capacity:	1000 metric ton (1 power & 1 idler)
Rotation Capacity:	1000 metric ton (1 power)
Rotation Speed:	100 to 1000mm/min
Vessel diameter:	Min 1105mm to Max 9175mm (at 3900mm C-C) @ 45 degree included angle
Incoming supply:	380-415V/3Phase/50-60/hz (specify input voltage when ordering)
AC Inverter:	37KW
Motor rating:	2 x 18.5KW AC Motors
Control voltage:	24V low voltage control
Weight:	TBA Kg Drive Unit TBA Kg Idler Unit




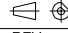
Specifications for Rotator		
1	Model	REPS1000-1000-39-FM-WE
2	Loading Capacity	500 MT
3	Turning Capacity	1000 MT
4	Vessel Size Min.	Ø1105mm at 90° Included Angle, at C-C 1500mm
5	Vessel Size Max.	Ø9175mm at 45° Included Angle, at C-C 3900mm
6	Tyre/Drum & Size	Steel, Ø1016mm x 350mm
7	Roller Speed	100~1000mm/min at 5~50Hz
8	Roller Drive Motor	2x AC 18.5kW Motor c/w Force Cooling
9	Travel Car	No
10	Travel Car Speed	N.A.
11	Travel Car Drive	N.A.
12	Drive Control	AC 37KW Inverter
13	Electrical Panel	Yes
14	Incoming Supply	380/400/415V-3P-50Hz or 440/460/480V-3P-60Hz
15	Control Voltage	24Vac
16	Control Means	Via Push Button Pendant c/w 10m Cable
17	Surface Preparation	Gritblast to SA2.5
18	Painting	Lead Free, 2 Coats Zinc Phosphate, 1 Coat Polyurethane
19	Colour	RAL3003 Red & RAL9005 Black for skid and drum only
20	Qty	1 Unit
21	Weight	T.B.A.

Note:

- 1) This drawing is accurate at the time of preparation and maybe subjected to final design changes.
- 2) Input terminals are wired for 400V by default.



ALL DIMENSIONS IN MM, UNLESS OTHERWISE SPECIFIED.

	CUSTOMER APPROVAL:	CHECKED BY:	DRAWN BY: IC	REV	DATE	DESCRIPTION	EDIT BY	REMARKS	SCALE:
						CUSTOMER:			N.T.S.
						DRAWING NAME:			
						DRAWING NO.:	Rotator 1000MT Power		
						REPS1000-1000-39-FM-WE			REV:
									0
									SHEET:
									1 OF 1

THE ORIGINAL AND ALL COPIES OF THIS DRAWING TOGETHER WITH THE COPYRIGHT THEREOF ARE THE SOLE PROPERTY OF RED ROCK. DESIGN AND SPECIFICATIONS ARE SUBJECT TO CHANGE WITHOUT PRIOR NOTICE.