



Specification Data

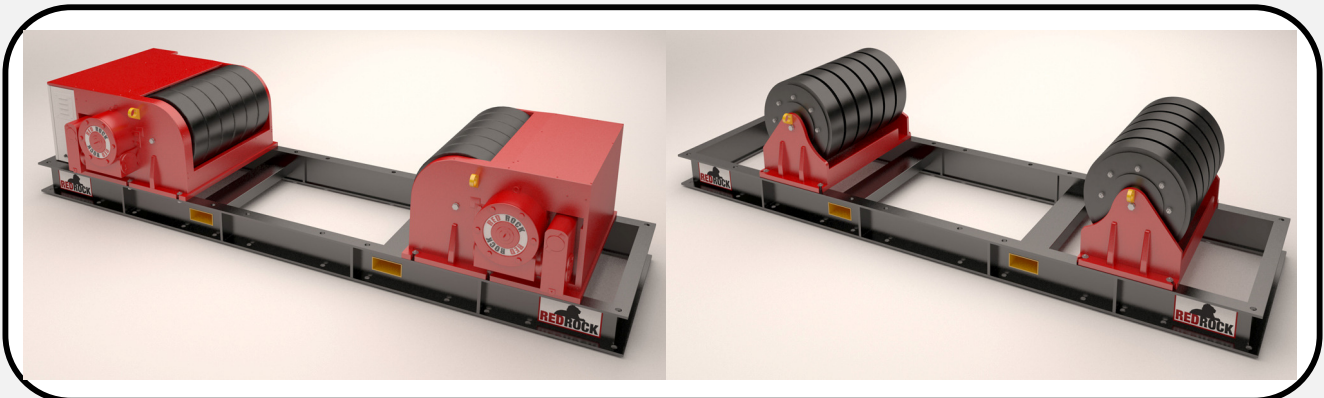
Conventional Rotators
Capacity : 125 tonnes
MODEL: RWPP125/250-31-FM-WE

RedRock rotators are a robust heavy duty design built to withstand the harsh and rugged environments expected in the world of welding and fabrication requirements. Our proven design uses 6 off 520mm diameter 600mm width replaceable hard-wearing polyurethane tyres mounted onto a cast steel drum for maximum durability and superior traction.

The powered drive unit drives all wheels synchronized using the AC gear motors via the latest inverter control. A hand held low voltage control pendant on a 10-metre cable provides the operator with full control of the rotator including a potentiometer for varying the speed, forward/reverse and stop.

All **RedRock** rotators are grit blasted to SA 2.5 for all structural steel and polyurethane paintwork ensuring that your investment provides you with many years of reliable, trouble-free use.

The idler roll has the same dimension to match the powered drive unit. See GA drawing attached.



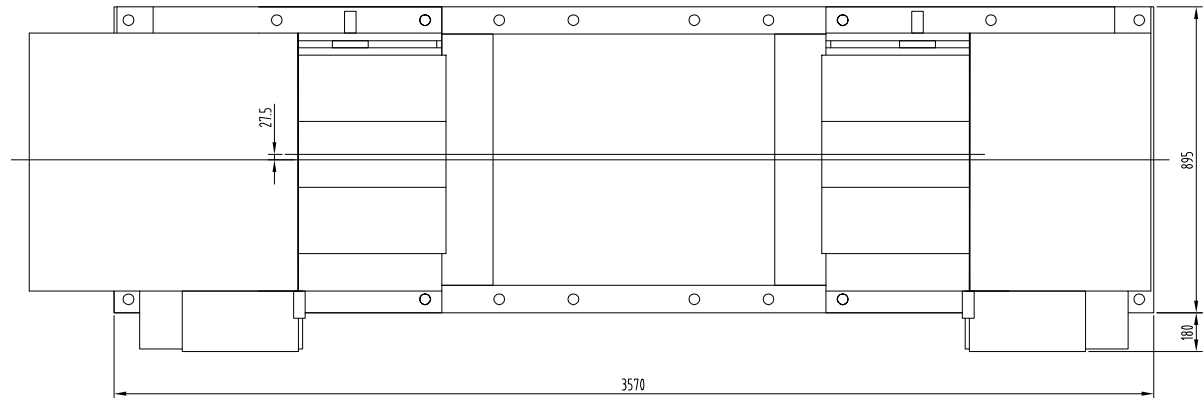
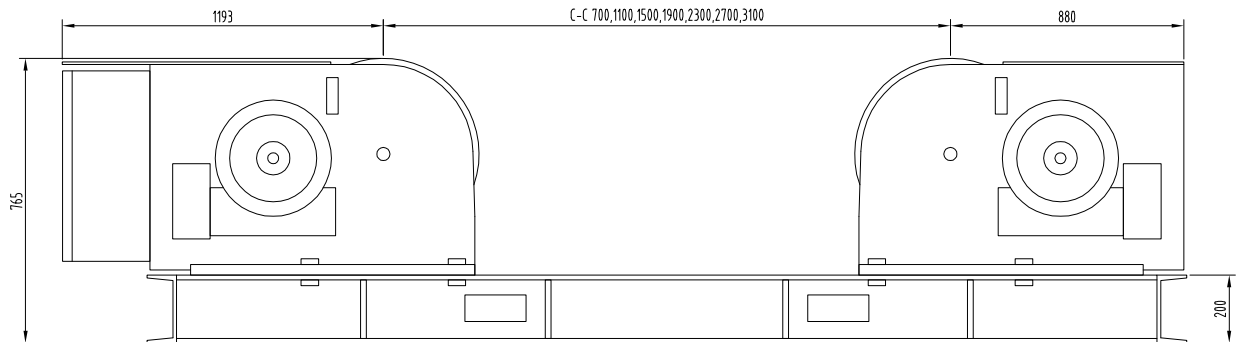
Power rolls specifications

Model:	RWPP125/250-31-FM-WE
Load Capacity:	125 Metric ton (1 power & 1 idler)
Rotation Capacity:	250 metric ton (1 power)
Rotation Speed:	130 to 1300mm/min
Vessel diameter:	Min 470mm to Max 7580mm (at 3100mm C-C) @ 45 degree included angle
Incoming supply:	380-415V/3Phase/50-60/hz (specify input voltage when ordering)
AC Inverter:	11KW
Motor rating:	2 x 5.5KW AC Motors
Control voltage:	24V low voltage control
Weight:	2850Kg Drive Unit 1710Kg Idler Unit

Specifications for Rotator		
1	Model	RWPP100-150-31-FM-WE
2	Loading Capacity	50 MT
3	Turning Capacity	150 MT
4	Vessel Size Min.	Ø470mm at 90° Included Angle, at C-C 700mm
5	Vessel Size Max.	Ø7580mm at 45° Included Angle, at C-C 3100mm
6	Tyre Type & Size	Polyurethane, Ø20½" x 21", Shore 'A' 90-93
7	Roller Speed	130-1300mm/min at 5-50Hz
8	Roller Drive Motor	2x AC 3kW Motor c/w Force Cooling
9	Travel Car	No
10	Travel Car Speed	N.A.
11	Travel Car Drive	N.A.
12	Drive Control	AC 7.5KW Inverter, Roller only
13	Electrical Panel	Yes
14	Incoming Supply	380/400/415V-3P-50Hz or 440/460/480V-3P-60Hz ¹
15	Control Voltage	24Vac
16	Control Means	Via Push Button Pendant c/w 10m Cable
17	Surface Preparation	Gritblast to SA2.5
18	Painting	Lead Free, 2 Coats Zinc Phosphate, 1 Coat Polyurethane
19	Colour	RAL3003 Red & RAL9005 BLACK FOR SKID ONLY
20	Qty	4 Units
21	Weight	~2800kg



Note:
1. Input terminals are wired for 400V by default.



ALL DIMENSIONS IN MM, UNLESS OTHERWISE SPECIFIED.



CUSTOMER APPROVAL:

DATE:

CHECKED BY:

DATE:

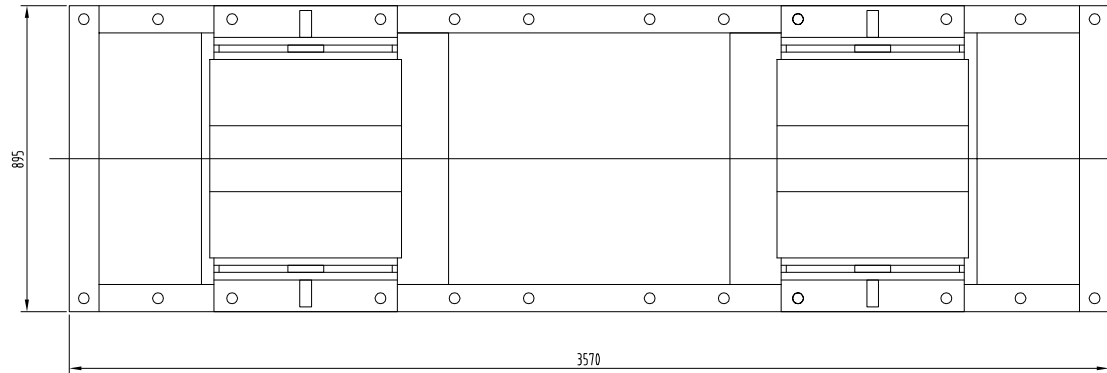
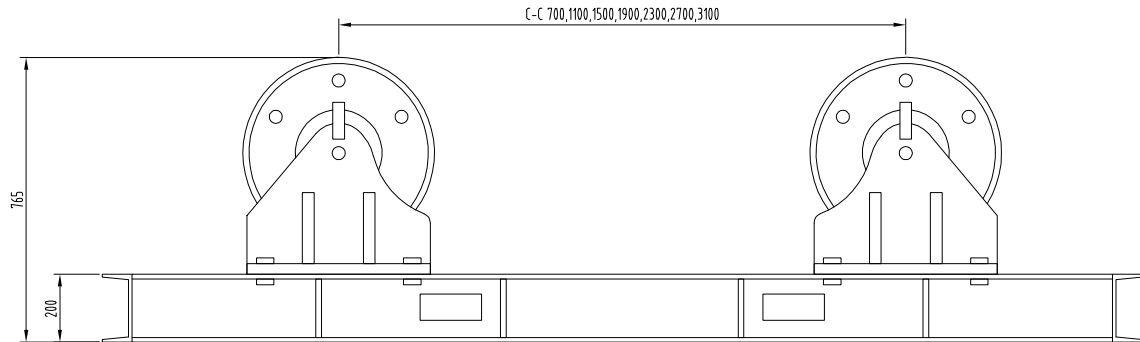
DRAWN BY:
IC

DATE:

1	26-10-10	Update of equipment colour	IC	
REV	DATE	DESCRIPTION	EDIT BY	REMARKS
CUSTOMER:				
DRAWING NAME:				SCALE: N.T.S.
DRAWING NO.:				REV: 1
THE ORIGINAL AND ALL COPIES OF THIS DRAWING TOGETHER WITH THE COPYRIGHT THEREOF ARE THE SOLE PROPERTY OF REDROCK. DESIGN AND SPECIFICATIONS ARE SUBJECT TO CHANGE WITHOUT PRIOR NOTICE.				SHEET: 1 OF 1

Rotator 100MT Power
PD-000013-GA03

Specifications for Rotator		
1	Model	RWIP100-31-FM
2	Loading Capacity	50 MT
3	Turning Capacity	N.A.
4	Vessel Size Min.	Ø470mm at 90° Included Angle, at C-C 700mm
5	Vessel Size Max.	Ø7580mm at 45° Included Angle, at C-C 3100mm
6	Tyre Type & Size	Polyurethane, Ø20½" x 21", Shore 'A' 90-93
7	Roller Speed	N.A.
8	Roller Drive Motor	N.A.
9	Travel Car	No
10	Travel Car Speed	N.A.
11	Travel Car Drive	N.A.
12	Drive Control	N.A.
13	Electrical Panel	No
14	Incoming Supply	N.A.
15	Control Voltage	N.A.
16	Control Means	N.A.
17	Surface Preparation	Gritblast to SA2.5
18	Painting	Lead Free, 2 Coats Zinc Phosphate, 1 Coat Polyurethane
19	Colour	RAL3003 Red & RAL 9005 BLACK FOR SKID ONLY
20	Qty	4 Units
21	Weight	~1660kg



ALL DIMENSIONS IN MM, UNLESS OTHERWISE SPECIFIED.

1	26-10-10	Update of equipment colour	IC	
REV	DATE	DESCRIPTION	EDIT BY	REMARKS
CUSTOMER:				SCALE: N.T.S.
DRAWING NAME: Rotator 100MT idler				
DRAWING NO.: PD-000013-GA04				REV: 1
THE ORIGINAL AND ALL COPIES OF THIS DRAWING TOGETHER WITH THE COPYRIGHT THEREOF ARE THE SOLE PROPERTY OF REDROCK. DESIGN AND SPECIFICATIONS ARE SUBJECT TO CHANGE WITHOUT PRIOR NOTICE.				SHEET: 1 OF 1



CUSTOMER APPROVAL:

DATE:

CHECKED BY:

DATE:

DRAWN BY:

IC

DATE: 26-10-10