



## Specification Data

**Conventional Rotators**  
**Capacity : 200 tonnes**  
**MODEL: RWPS200/200-31-FM-WE**  
**Fitted with steel wheels**

**RedRock** rotators are a robust heavy duty design built to withstand the harsh and rugged environments expected in the world of welding and fabrication requirements. Our proven design uses 580mm diameter 250mm width, steel wheels crowned and hardened mounted onto a cast steel drum for durability and superior traction.

The powered drive unit drives all wheels synchronized using the AC gear motors via the latest inverter control. A hand held low voltage control pendant on a 10 metre cable provides the operator with full control of the rotator including a potentiometer for varying the speed, forward/reverse and stop.

All **RedRock** rotators are grit blasted to SA 2.5 for all structural steel and polyurethane paintwork ensuring that your investment provides you with many years of reliable, trouble-free use.

The idler roll has the same dimension to match the powered drive unit. See GA drawing attached.



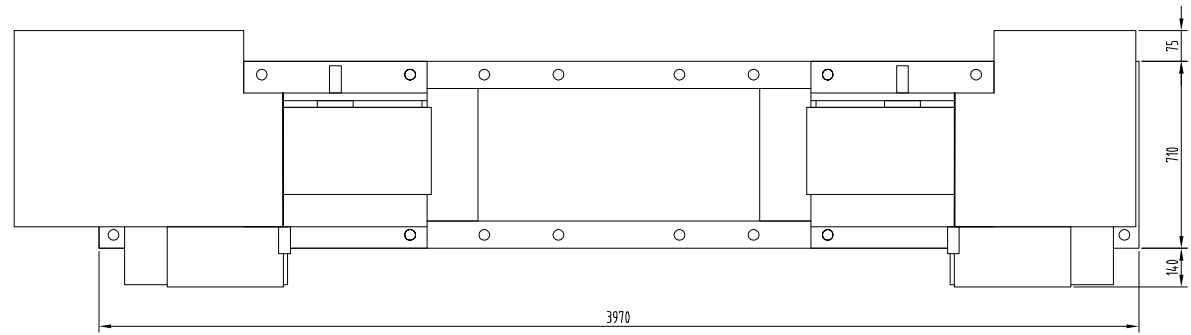
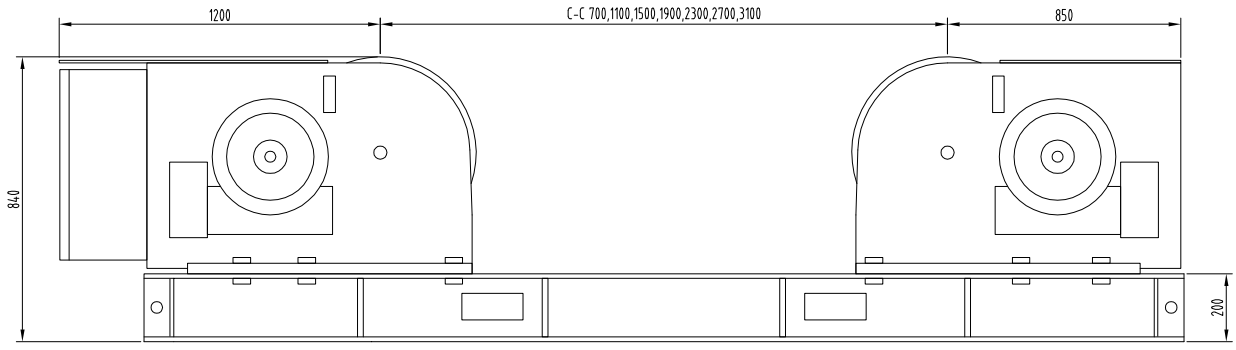
### Power rolls specifications

Model:	RWPS200/200-31-FM-WE
Load Capacity:	200 Metric ton (1 power & 1 idler)
Rotation Capacity:	200 metric ton (1 power)
Rotation Speed:	140 to 1400mm/min
Vessel diameter:	Min 410mm to Max 7520mm (at 3100mm C-C) @ 45 degree included angle
Incoming supply:	380-415V/3Phase/50-60/hz (specify input voltage when ordering)
AC Inverter:	11 kW
Motor rating:	2 x 4 kW AC Motors
Control voltage:	24V low voltage control
Weight:	TBA Kg Drive Unit TBA Kg Idler Unit

Specifications for Rotator		
1	Model	RWPS200-200-31-FM-WE
2	Loading Capacity	100 MT
3	Turning Capacity	200 MT
4	Vessel Size Min.	Ø410mm at 90° Included Angle, at C-C 700mm
5	Vessel Size Max.	Ø7520mm at 45° Included Angle, at C-C 3100mm
6	Tyre Type & Size	Steel, Ø580mm x 250mm
7	Roller Speed	140-1400mm/min at 5-50Hz
8	Roller Drive Motor	2x AC 4kW Motor c/w Force Cooling
9	Travel Car	No
10	Travel Car Speed	N.A.
11	Travel Car Drive	N.A.
12	Drive Control	AC 11KW Inverter, Roller only
13	Electrical Panel	Yes
14	Incoming Supply	380/400/415V-3P-50Hz or 440/460/480V-3P-60Hz <sup>1</sup>
15	Control Voltage	24Vac
16	Control Means	Via Push Button Pendant c/w 10m Cable
17	Surface Preparation	Gritblast to SA2.5
18	Painting	Lead Free, 2 Coats Zinc Phosphate, 1 Coat Polyurethane
19	Colour	RAL3003 Red & RAL 9005 BLACK FOR SKID ONLY
20	Qty	4 Units
21	Weight	T.B.A.



Note:  
1. Input terminals are wired for 400V by default.



ALL DIMENSIONS IN MM, UNLESS OTHERWISE SPECIFIED.



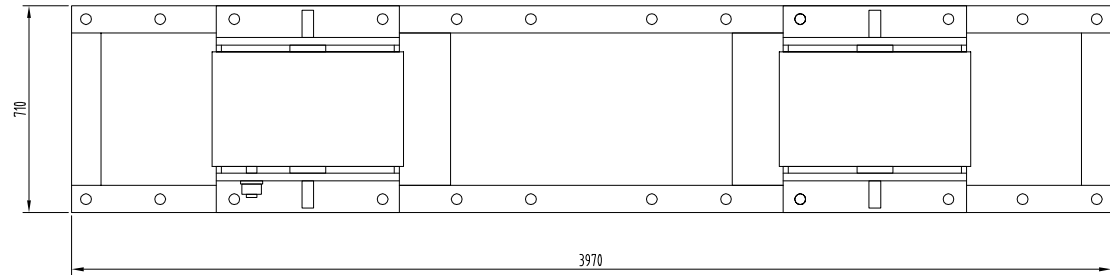
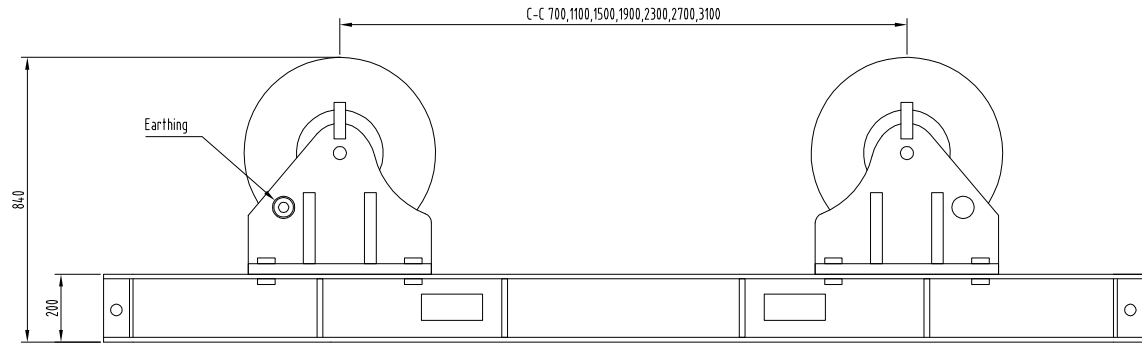
CUSTOMER APPROVAL:  
  
DATE:

CHECKED BY:  
  
DATE:

DRAWN BY: IC  
  
DATE: 26-10-10

1	26-10-10	Update of equipment colour	IC	
REV	DATE	DESCRIPTION	EDIT BY	REMARKS
CUSTOMER:				
DRAWING NAME:		Rotator 200MT Power		
DRAWING NO.:		PD-000013-GA05		
THE ORIGINAL AND ALL COPIES OF THIS DRAWING TOGETHER WITH THE COPYRIGHT THEREOF ARE THE SOLE PROPERTY OF REDROCK. DESIGN AND SPECIFICATIONS ARE SUBJECT TO CHANGE WITHOUT PRIOR NOTICE.				SCALE: N.T.S. REV: 1 SHEET: 1 OF 1

Specifications for Rotator		
1	Model	RWIS200-31-FM
2	Loading Capacity	100 MT
3	Turning Capacity	N.A.
4	Vessel Size Min.	Ø410mm at 90° Included Angle, at C-C 700mm
5	Vessel Size Max.	Ø7520mm at 45° Included Angle, at C-C 3100mm
6	Tyre Type & Size	Steel, Ø580mm x 250mm
7	Roller Speed	N.A.
8	Roller Drive Motor	N.A.
9	Travel Car	No
10	Travel Car Speed	N.A.
11	Travel Car Drive	N.A.
12	Drive Control	N.A.
13	Electrical Panel	No
14	Incoming Supply	N.A.
15	Control Voltage	N.A.
16	Control Means	N.A.
17	Surface Preparation	Gritblast to SA2.5
18	Painting	Lead Free, 2 Coats Zinc Phosphate, 1 Coat Polyurethane
19	Colour	RAL3003 Red & RAL 9005 BLACK FOR SKID ONLY
20	Qty	4 Units
21	Weight	T.B.A.



ALL DIMENSIONS IN MM, UNLESS OTHERWISE SPECIFIED.

1	26-10-10	Update of equipment colour	IC	
REV	DATE	DESCRIPTION	EDIT BY	REMARKS
CUSTOMER:				SCALE: N.T.S.
DRAWING NAME: Rotator 200MT Idler				
DRAWING NO.: PD-000013-GA06				REV: 1
THE ORIGINAL AND ALL COPIES OF THIS DRAWING TOGETHER WITH THE COPYRIGHT THEREOF ARE THE SOLE PROPERTY OF REDROCK. DESIGN AND SPECIFICATIONS ARE SUBJECT TO CHANGE WITHOUT PRIOR NOTICE.				SHEET: 1 OF 1



CUSTOMER APPROVAL:

DATE:

CHECKED BY:

DATE:

DRAWN BY: IC

DATE: 26-10-10